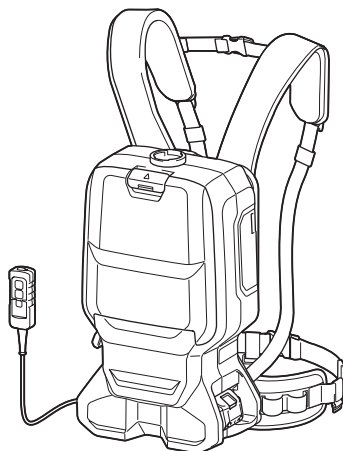


INSTRUCTION MANUAL
MANUEL D'INSTRUCTION
MANUAL DE INSTRUCCIONES



Cordless Backpack Vacuum Cleaner Aspirateur Dorsal Sans Fil Aspiradora de mochila a batería DVC660



Read before use.
À lire avant l'utilisation.
Lea antes de usar.

SPECIFICATIONS

Model:		DVC660
Capacity	Filter bag	6.0 L (1.6 gal.)
	Dust bag	5.5 L (1.5 gal.)
Maximum air volume	With hose ø28 mm (1-1/8") x 1.0 m (39-3/8")	2.0 m³/min (70.6 cu.ft/min)
	With hose ø32 mm (1-1/4") x 1.0 m (39-3/8")	2.2 m³/min (77.7 cu.ft/min)
Vacuum		110 hPa
Dimensions (L x W x H) (excluding the harness)		297 mm x 174 mm x 523 mm (11-3/4" x 6-7/8" x 20-5/8")
Rated voltage		D.C. 36 V
Net weight		6.1 - 6.7 kg (13.4 - 14.8 lbs)

- Due to our continuing program of research and development, the specifications herein are subject to change without notice.
- Specifications may differ from country to country.
- The weight does not include accessories but battery cartridge(s). The lightest and heaviest combination weight of the appliance and battery cartridge(s) are shown in the table.
- The length of supplied hose varies depending on the countries.

Applicable battery cartridge and charger

Battery cartridge	BL1815N / BL1820B / BL1830 / BL1830B / BL1840B / BL1850B / BL1860B
Charger	DC18RC / DC18RD / DC18RE / DC18SD / DC18SE / DC18SF / DC18SH

- Some of the battery cartridges and chargers listed above may not be available depending on your region of residence.

⚠ WARNING: Only use the battery cartridges and chargers listed above. Use of any other battery cartridges and chargers may cause injury and/or fire.

⚠ WARNING: Do not use a corded power supply such as battery adapter or portable power pack with this tool. Wearing more than one harness at a time makes it difficult to operate and release the tool, and may cause an injury.

SAFETY WARNINGS

IMPORTANT SAFETY INSTRUCTIONS

When using an electrical appliance, basic precautions should always be followed, including the following:

READ ALL INSTRUCTIONS BEFORE USING THIS APPLIANCE.

WARNING

To reduce the risk of fire, electric shock or injury:

1. Do not leave appliance when battery fitted. Remove battery from appliance when not in use and before servicing.
2. Do not use on wet surfaces. Do not expose to rain. Store indoors.
3. Do not allow to be used as a toy. Close attention is necessary when used by or near children.
4. Use only as described in this manual. Use only manufacturer's recommended attachments.

5. **Do not use with damaged battery.** If appliance is not working as it should, has been dropped, damaged, left outdoors, or dropped into water, return it to a service center.
6. **Do not handle appliance with wet hands.**
7. **Do not put any object into openings.** Do not use with any opening blocked; keep free of dust, lint, hair, and anything that may reduce air flow.
8. **Keep hair, loose clothing, fingers, and all parts of body away from openings and moving parts.**
9. **Turn off all controls before removing the battery cartridge.**
10. **Use extra care when cleaning on stairs.**
11. **Do not use to pick up flammable or combustible liquids, such as gasoline, or use in areas where they may be present.**
12. **Do not pick up anything that is burning or smoking, such as cigarettes, matches, or hot ashes.**
13. **Do not use without dust collecting bag in place.**
14. **Do not charge the battery outdoors.**
15. **Prevent unintentional starting. Ensure the switch is in the off-position before connecting to battery pack, picking up or carrying the appliance.** Carrying the appliance with your finger on the switch or energizing appliance that have the switch on invites accidents.
16. **Disconnect the battery pack from the appliance before making any adjustments, changing accessories, or storing appliance.** Such preventive safety measures reduce the risk of starting the appliance accidentally.
17. **Recharge only with the charger specified by the manufacturer.** A charger that is suitable for one type of battery pack may create a risk of fire when used with another battery pack.
18. **Use appliances only with specifically designated battery packs.** Use of any other battery packs may create a risk of injury and fire.
19. **When battery pack is not in use, keep it away from other metal objects, like paper clips, coins, keys, nails, screws or other small metal objects, that can make a connection from one terminal to another.** Shorting the battery terminals together may cause burns or a fire.
20. **Under abusive conditions, liquid may be ejected from the battery; avoid contact. If contact accidentally occurs, flush with water. If liquid contacts eyes, additionally seek medical help.** Liquid ejected from the battery may cause irritation or burns.
21. **Do not use a battery pack or appliance that is damaged or modified.** Damaged or modified batteries may exhibit unpredictable behaviour resulting in fire, explosion or risk of injury.
22. **Do not expose a battery pack or appliance to fire or excessive temperature.** Exposure to fire or temperature above 130 °C may cause explosion.
23. **Follow all charging instructions and do not charge the battery pack or appliance outside of the temperature range specified in the instructions.** Charging improperly or at temperatures outside of the specified range may damage the battery and increase the risk of fire.
24. **Have servicing performed by a qualified repair person using only identical replacement parts.** This will ensure that the safety of the product is maintained.
25. **Do not modify or attempt to repair the appliance or the battery pack except as indicated in the instructions for use and care.**
26. **Do not use a corded power supply such as battery adapter or portable power pack with this machine.** The cable of such power supply may hinder the operation and result in personal injury.

SAVE THESE INSTRUCTIONS.

This appliance is intended for commercial use.

ADDITIONAL SAFETY RULES

1. Read this instruction manual and the charger instruction manual carefully before use.
2. Do not vacuum the following:
 - Flammable liquid (kerosene, gasoline, solvents such as benzene, thinner, etc.)
 - Hot substances that are burning or smoking (cigarettes, matches, incense sticks, candles, hot ashes), sparks and metal dust generated by cutting or grinding metal, etc.
 - Flammable material (toner, paint, spray, etc.)
 - Foam like carpet cleaning agent, etc. (they may cause explosion or fire)
 - Explosive or pyrophoric substances (nitroglycerin, aluminum, magnesium, titanium, zinc, red phosphorus, yellow phosphorus, celluloid, etc. and their dust, gas or steam)
 - Sharp objects (glass, cutlery, wood splinter, metal, stone, nail, razor, push pin, etc.)
 - Solidifying and conductive fine powder (metal or carbon powder)
 - Dehumidifier
 - Large amount of powder (flour, fire extinguisher powder, etc.)
 - Substances that cause toxic symptoms
 - Aggressive chemicals (acid, leach, etc.)
 - Liquid or damp garbage, including vomit and excreta
 - Asbestos
 - Pesticides

Such action may cause fire, injury and/or property damage.

To reduce your exposure to these chemicals, always wear approved respiratory protection such as dust masks that are specially designed to filter out microscopic particles. Direct the exhaust air away from your face and body.

NOTE: Read the OSHA regulation on silica dust to understand the requirements needed to reduce exposure to silica dust at the job-site. Specific rules apply to the drilling, demolition cutting and grinding materials that contain silica. All OSHA requirements regarding reducing silica dust can be found at the OSHA website: www.osha.gov.

3. Stop operation immediately if you notice anything abnormal.
4. If you drop or strike the cleaner, check it carefully for cracks or damage before operation.
5. Do not bring close to stoves or other heat sources.
6. Do not block the intake hole or vent holes.

Battery tool use and care

1. Prevent unintentional starting. Ensure the switch is in the off-position before connecting to battery pack, picking up or carrying the appliance. Carrying the appliance with your finger on the switch or energizing appliance that have the switch on invites accidents.
2. Disconnect the battery pack from the appliance before making any adjustments, changing accessories, or storing appliance. Such preventive safety measures reduce the risk of starting the appliance accidentally.
3. Recharge only with the charger specified by the manufacturer. A charger that is suitable for one type of battery pack may create a risk of fire when used with another battery pack.
4. Use appliances only with specifically designated battery packs. Use of any other battery packs may create a risk of injury and fire.

5. **When battery pack is not in use, keep it away from other metal objects, like paper clips, coins, keys, nails, screws or other small metal objects, that can make a connection from one terminal to another.** Shorting the battery terminals together may cause burns or a fire.
6. **Under abusive conditions, liquid may be ejected from the battery; avoid contact. If contact accidentally occurs, flush with water. If liquid contacts eyes, additionally seek medical help.** Liquid ejected from the battery may cause irritation or burns.
7. **Do not use a battery pack or appliance that is damaged or modified. Damaged or modified batteries may exhibit unpredictable behavior resulting in fire, explosion or risk of injury.**
8. **Do not expose a battery pack or appliance to fire or excessive temperature. Exposure to fire or temperature above 130 °C may cause explosion.**
9. **Follow all charging instructions and do not charge the battery pack or appliance outside of the temperature range specified in the instructions.** Charging improperly or at temperatures outside of the specified range may damage the battery and increase the risk of fire.
10. **Have servicing performed by a qualified repair person using only identical replacement parts.** This will ensure that the safety of the product is maintained.
11. **Do not modify or attempt to repair the appliance or the battery pack except as indicated in the instructions for use and care.**

Symbols

The followings show the symbols used for tool.

V	volts
— — —	direct current

Important safety instructions for battery cartridge

1. **Before using battery cartridge, read all instructions and cautionary markings on (1) battery charger, (2) battery, and (3) product using battery.**
2. **Do not disassemble or tamper the battery cartridge.** It may result in a fire, excessive heat, or explosion.
3. **If operating time has become excessively shorter, stop operating immediately.** It may result in a risk of overheating, possible burns and even an explosion.
4. **If electrolyte gets into your eyes, rinse them out with clear water and seek medical attention right away.** It may result in loss of your eyesight.
5. **Do not short the battery cartridge:**
 - (1) **Do not touch the terminals with any conductive material.**
 - (2) **Avoid storing battery cartridge in a container with other metal objects such as nails, coins, etc.**
 - (3) **Do not expose battery cartridge to water or rain.**

A battery short can cause a large current flow, overheating, possible burns and even a breakdown.
6. **Do not store and use the tool and battery cartridge in locations where the temperature may reach or exceed 50 °C (122 °F).**
7. **Do not incinerate the battery cartridge even if it is severely damaged or is completely worn out.** The battery cartridge can explode in a fire.
8. **Do not nail, cut, crush, throw, drop the battery cartridge, or hit against a hard object to the battery cartridge.** Such conduct may result in a fire, excessive heat, or explosion.
9. **Do not use a damaged battery.**
10. **The contained lithium-ion batteries are subject to the Dangerous Goods Legislation requirements.**

For commercial transports e.g. by third parties, forwarding agents, special requirement on packaging and labeling must be observed.

For preparation of the item being shipped, consulting an expert for hazardous material is required. Please also observe possibly more detailed national regulations. Tape or mask off open contacts and pack up the battery in such a manner that it cannot move around in the packaging.

11. When disposing the battery cartridge, remove it from the tool and dispose of it in a safe place. Follow your local regulations relating to disposal of battery.
12. Use the batteries only with the products specified by Makita. Installing the batteries to non-compliant products may result in a fire, excessive heat, explosion, or leak of electrolyte.
13. If the tool is not used for a long period of time, the battery must be removed from the tool.
14. During and after use, the battery cartridge may take on heat which can cause burns or low temperature burns. Pay attention to the handling of hot battery cartridges.
15. Do not touch the terminal of the tool immediately after use as it may get hot enough to cause burns.
16. Do not allow chips, dust, or soil stuck into the terminals, holes, and grooves of the battery cartridge. It may result in poor performance or breakdown of the tool or battery cartridge.
17. Unless the tool supports the use near high-voltage electrical power lines, do not use the battery cartridge near a high-voltage electrical power lines. It may result in a malfunction or breakdown of the tool or battery cartridge.
18. Keep the battery away from children.

SAVE THESE INSTRUCTIONS.

CAUTION: Only use genuine Makita batteries. Use of non-genuine Makita batteries, or batteries that have been altered, may result in the battery bursting causing fires, personal injury and damage. It will also void the Makita warranty for the Makita tool and charger.

Tips for maintaining maximum battery life

1. Charge the battery cartridge before completely discharged. Always stop tool operation and charge the battery cartridge when you notice less tool power.
2. Never recharge a fully charged battery cartridge. Overcharging shortens the battery service life.
3. Charge the battery cartridge with room temperature at 10 °C - 40 °C (50 °F - 104 °F). Let a hot battery cartridge cool down before charging it.
4. When not using the battery cartridge, remove it from the tool or the charger.
5. Charge the battery cartridge if you do not use it for a long period (more than six months).

FUNCTIONAL DESCRIPTION

CAUTION: Always be sure that the appliance is switched off and the battery cartridge is removed before adjusting or checking function on the appliance.

Installing or removing battery cartridge

CAUTION: Always switch off the appliance before installing or removing of the battery cartridge.

CAUTION: Hold the appliance and the battery cartridge firmly when installing or removing battery cartridge. Failure to hold the appliance and the battery cartridge firmly may cause them to slip off your hands and result in damage to the appliance and battery cartridge and a personal injury.

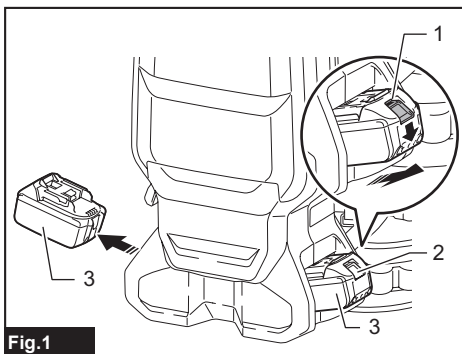


Fig.1

► 1. Red indicator 2. Button 3. Battery cartridge

To remove the battery cartridge, slide it from the appliance while sliding the button on the front of the cartridge.

To install the battery cartridge, align the tongue on the battery cartridge with the groove in the housing and slip it into place. Insert it all the way until it locks in place with a little click. If you can see the red indicator on the upper side of the button, it is not locked completely.

⚠ CAUTION: Always install the battery cartridge fully until the red indicator cannot be seen. If not, it may accidentally fall out of the appliance, causing injury to you or someone around you.

⚠ CAUTION: Do not install the battery cartridge forcibly. If the cartridge does not slide in easily, it is not being inserted correctly.


Appliance / battery protection system

The appliance is equipped with a appliance / battery protection system. This system automatically cuts off power to the motor to extend appliance and battery life. The appliance will automatically stop during operation if the appliance or battery is placed under one of the following conditions:

Overload protection

When the appliance is operated in a manner that causes it to draw an abnormally high current, the appliance automatically stops without any indication. In this situation, turn the appliance off and stop the application that caused the appliance to become overloaded. Then turn the appliance on to restart.

Overheat protection

When the appliance is overheated, the appliance stops automatically, and the LED light blinks about 60 seconds. In this situation, let the appliance cool down before turning the appliance on again. While the LED light is blinking, you can turn off the LED light by pressing  button.

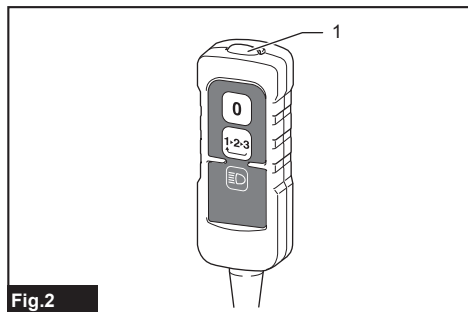


Fig.2

► 1. LED light

Overdischarge protection

When the battery capacity becomes low, the appliance stops automatically. If the product does not operate even when the switches are operated, remove the batteries from the appliance and charge the batteries.

Indicating the remaining battery capacity

Only for battery cartridges with the indicator

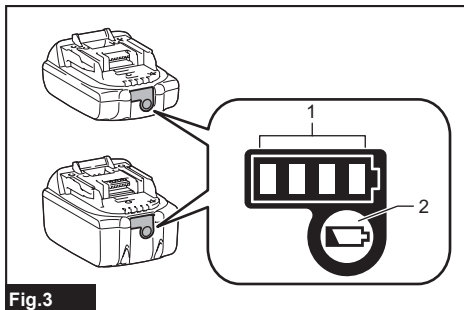














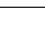





Fig.3

► 1. Indicator lamps 2. Check button

Press the check button on the battery cartridge to indicate the remaining battery capacity. The indicator lamps light up for a few seconds.

Indicator lamps			Remaining capacity
 Lighted	 Off	 Blinking	
			75% to 100%
			50% to 75%
			25% to 50%
			0% to 25%
			Charge the battery.
			The battery may have malfunctioned.
			

NOTE: Depending on the conditions of use and the ambient temperature, the indication may differ slightly from the actual capacity.

NOTE: The first (far left) indicator lamp will blink when the battery protection system works.

Switch box position

The switch box can be hooked on either side of the lower belt. Arrange the cord so that the switch box comes to your desired side. To prevent the cord from being damaged, pass the cord through the groove as illustrated.

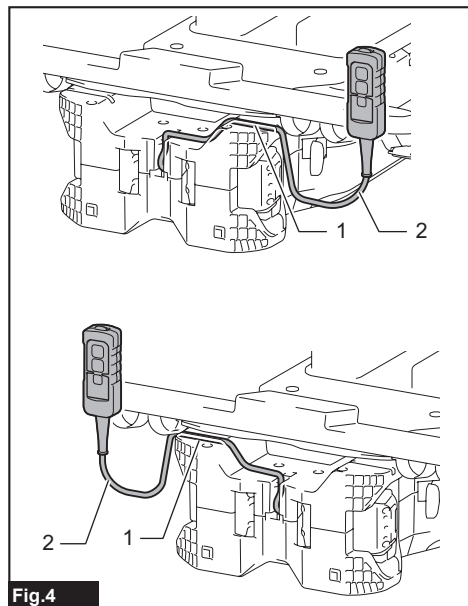


Fig.4

► 1. Groove 2. Cord

Adjusting belts

The tightness of the shoulder belts, upper and lower belts can be adjusted. Put your arms through the shoulder belts first then fasten the lower and upper belts. To tighten, pull the end of the strap as illustrated. To loosen, pull up the end of the fastener.

Lower belt

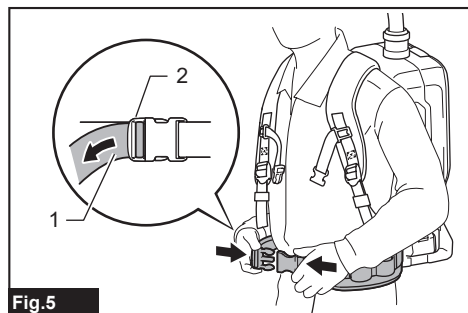


Fig.5

► 1. Strap 2. Fastener

Shoulder belts

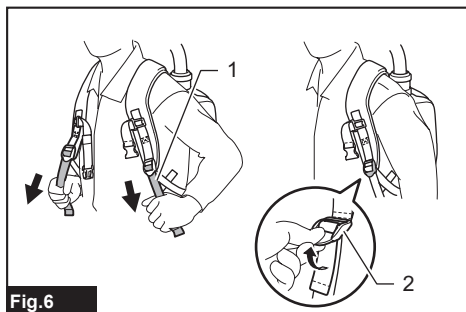


Fig.6

► 1. Strap 2. Fastener

Upper belt

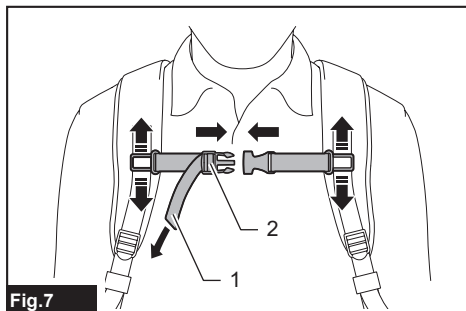


Fig.7

► 1. Strap 2. Fastener

Carrying hook

CAUTION: Use the hanging/mounting parts for their intended purposes only. Using for unintended purpose may cause accident or personal injury.

Always grab the carrying hook when handling the vacuum cleaner body.

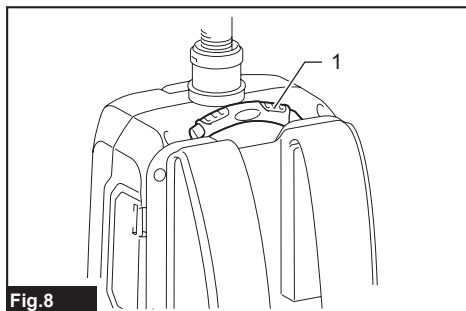



Fig.8

► 1. Carrying hook

Switch action

You can change the suction power in three steps: normal (1), high (2), and max (3).

To start vacuuming, press  button once. When you change the suction power, press the button while the vacuum cleaner is running. The suction power switches in order normal (1), high (2), and max (3).

To turn off the vacuum cleaner, press  button.

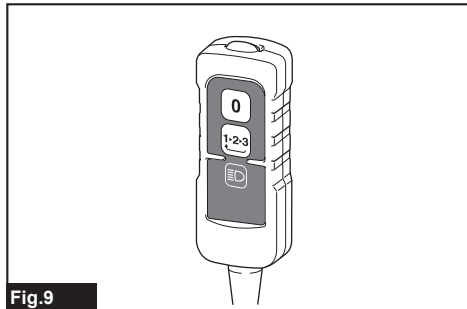




Fig.9

NOTE: When you start the vacuum cleaner again, it will start in the same suction power as the previous setting.

LED light

LED light is installed in the head of the switch box to ease the operations in dark places. Press  button to turn the light on. To turn off, press  button again.

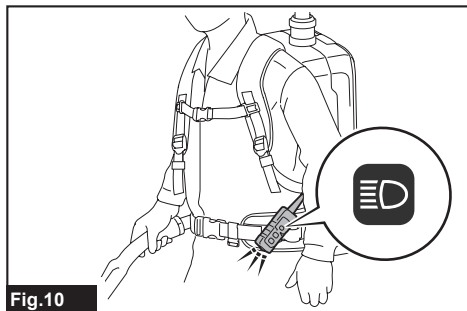


Fig.10

CAUTION: Do not look in the light or see the source of light directly. Never aim the light to other people's eyes.

NOTE: The LED light is automatically turned off when the vacuum cleaner is not operated for more than 10 minutes.

NOTE: The vacuum cleaner will automatically switch off and the LED light flashes when the vacuum cleaner is overheated due to the reduced air-flow into the machine caused by clogged hose, pipe, filter or other reasons. In this case, remove the cause of the problem and cool the vacuum cleaner before restarting.

Hose band

Hose band can be used for holding the hose or free nozzle.

To secure the hose to the vacuum cleaner body, pass the hose band through the slot on the body. You can attach the hose band on either side.

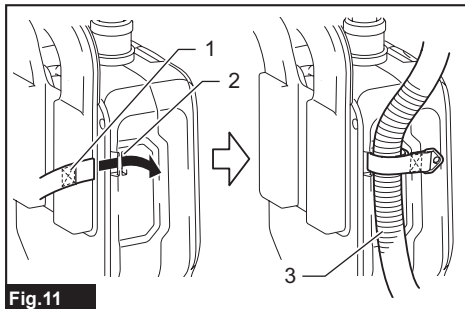


Fig.11

► 1. Hose band 2. Slot 3. Hose

The loop on the lower belt can be used for carrying nozzles as illustrated.

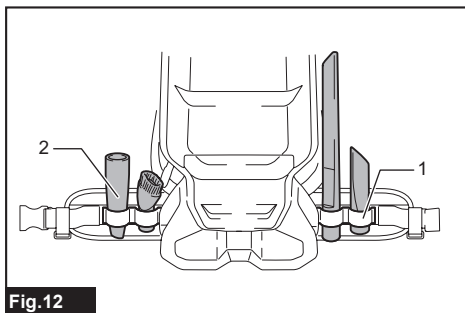


Fig.12

► 1. Loop 2. Nozzles

Hose hook

When you suspend the operation, the hook on the bent pipe assembly can be used for hanging the wand on the lower belt.

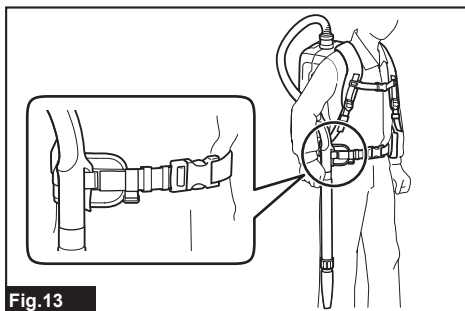


Fig.13

Dust beating system

Dust goes down when you pull the lever or walk with wearing the cleaner. This system helps the cleaner maintaining the suction power.

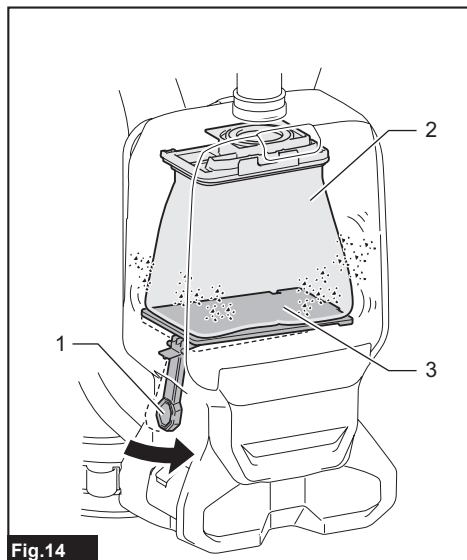


Fig.14

► 1. Lever 2. Filter bag/dust bag 3. Board

NOTE: This function works when the cleaner is switched off and the filter bag/dust bag contains a certain amount of dust to touch the board.

ASSEMBLY

CAUTION: Always be sure that the appliance is switched off and the battery cartridge is removed before carrying out any work on the appliance.

Assembling hose

Insert the hose cuff into the vacuum cleaner body and turn it clockwise.

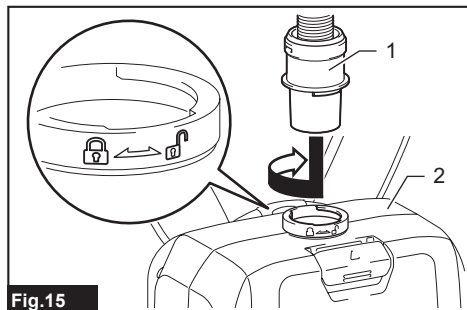


Fig.15

► 1. Hose cuff 2. Vacuum cleaner body

Using as a cleaner

Attaching bent pipe assembly

Optional accessory

NOTE: You don't need to perform this procedure if your model comes with the bent pipe assembly attached to the hose.

NOTE: There are two types of bent pipe assembly; the one for slide-type extension wand and the one for ring-type extension wand. If you prepare the bent pipe assembly, choose the one for your desired extension wand type.

The bent pipe assembly is used for connecting the extension wand or nozzle for vacuum cleaning to this product. If you want to use this product as the vacuum cleaner, attach the bent pipe assembly to the hose.

To attach, unscrew the front cuff from the hose and fasten the sleeve of bent pipe assembly onto the hose. To remove, loosen the sleeve of bent pipe assembly from the hose.

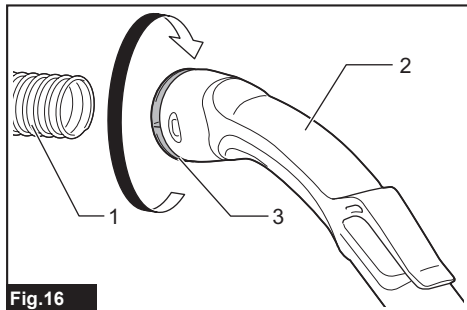


Fig.16

► 1. Hose 2. Bent pipe assembly 3. Sleeve

Assembling nozzle and wand

Optional accessory

NOTE: The type of the nozzle and wand included in the product varies depending on countries. In some countries, the nozzle and wand are not included.

1. Twist and insert the nozzle to the extension wand.

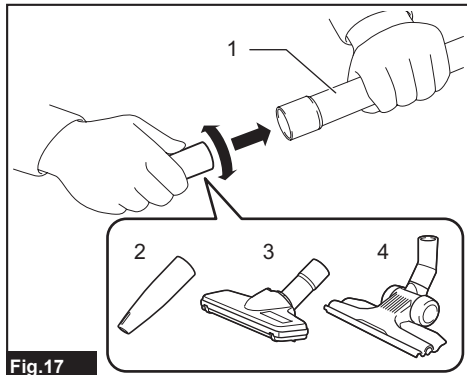


Fig.17

► 1. Extension wand 2. Free nozzle 3. T-shape nozzle 4. T-shape nozzle (slim)

NOTE: By twisting the nozzle while inserting, the nozzle can be attached to the extension wand securely.

NOTE: For the model with $\varnothing 38$ mm hose and front cuff 38, attach the supplied nozzle to the aluminum bending pipe / aluminum straight pipe.

2. Follow the procedures below, depending on the type of the extension wand :

NOTE: The slide-type extension wand and the ring-type extension wand are not compatible with each other. If you want to change the slide-type extension wand to the ring-type extension wand or vice versa, change the bent pipe assembly also.

NOTE: The free nozzle can be attached to the bent pipe assembly directly.

For the slide-type extension wand

Shoulder the vacuum cleaner body then insert the extension wand into the bent pipe assembly until it clicks. To disconnect, extract the extension wand with pressing the button.

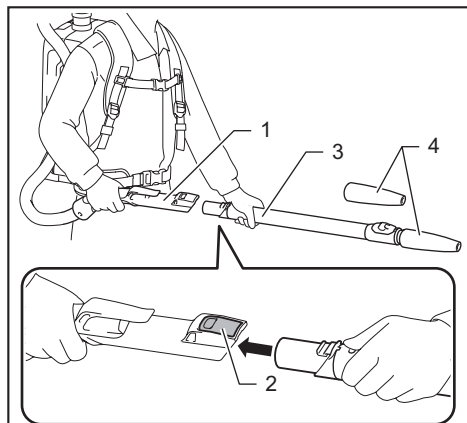


Fig.18

► 1. Bent pipe assembly 2. Button 3. Slide-type extension wand 4. Free nozzle

The length of the wand can be adjusted. With pressing the slide button, adjust the wand length. The length is locked when releasing the slide button.

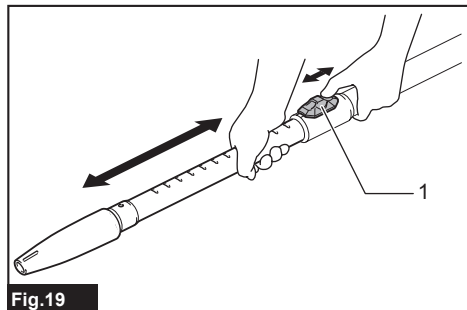


Fig.19

► 1. Slide button

For the ring-type extension wand

Shoulder the vacuum cleaner body then twist and insert the extension wand into the bent pipe assembly. To disconnect, twist and extract it.

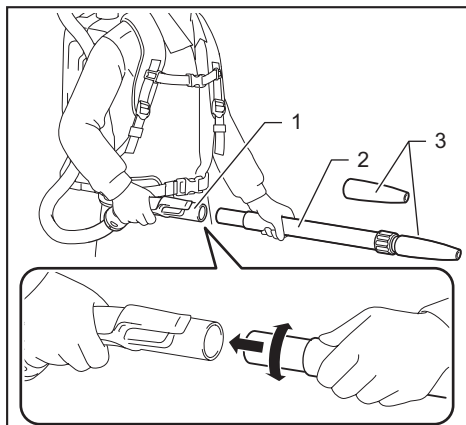


Fig.20

► 1. Bent pipe assembly 2. Ring-type extension wand 3. Free nozzle

The length of the wand can be adjusted. Loosen the ring on the wand and adjust the wand length. Tighten the ring at your desired length.

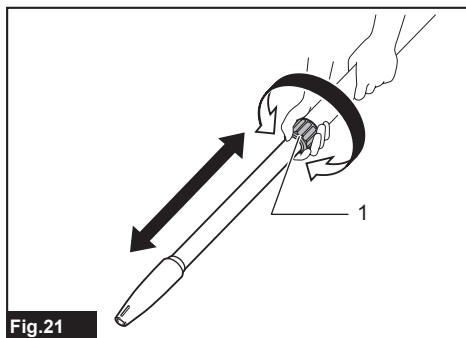


Fig.21

► 1. Ring

For the aluminum bending pipe / aluminum straight pipe

(Only for the model with ø38 mm hose and front cuff 38)
Shoulder the vacuum cleaner body then twist and insert the pipe into the front cuff. To disconnect, twist and extract it.

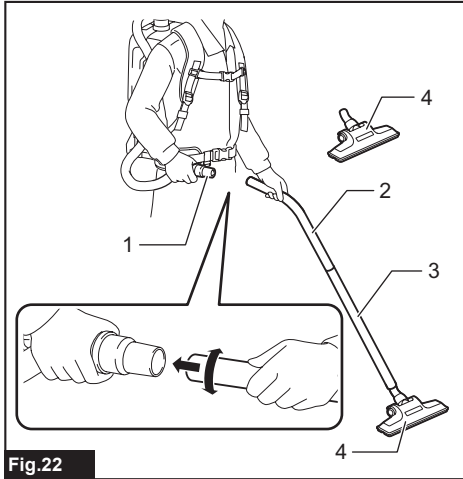


Fig.22

- ▶ 1. Front cuff 38 2. Aluminum bending pipe
- 3. Aluminum straight pipe 4. Nozzle

For the two aluminum straight pipes

Shoulder the vacuum cleaner body then twist and insert the pipes. To disconnect, twist and extract it.

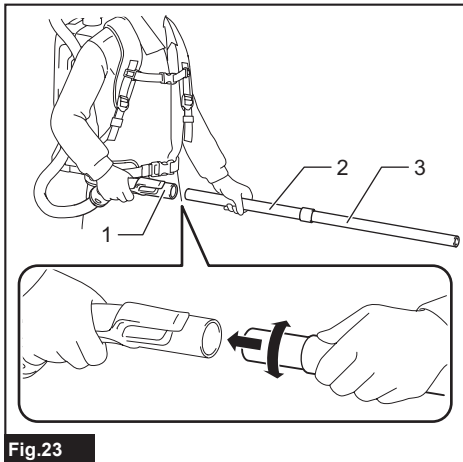


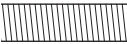

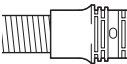
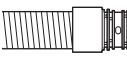
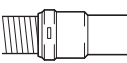

Fig.23

- ▶ 1. Bent pipe assembly 2. Aluminum straight pipe 1
- 3. Aluminum straight pipe 2

Connecting the tool

NOTE: If the bent pipe assembly is attached to the hose, remove it beforehand.

To connect a tool to the cleaner, the dedicated hose and/or additional parts are required. Depending on your cleaner model, you need to replace the hose and/or prepare additional parts.
Refer to the following table for details.

Supplied hose diameter	Hose end type	Action
ø28 mm	 without part	Attach the front cuff.
	 with snap-on part	Replace the hose end (snap-on part) with the front cuff. The hose end can be removed by turning it counterclockwise.
ø32 mm	 with snap-on part	Replace the hose with the one for dust extraction (ø28 mm, with front cuff).
	 with snap-on part	Replace the hose with the one for dust extraction (ø28 mm, with front cuff).
ø38 mm	 with snap-on part	Attach the joint 22-38 or the front cuff 24.
	 with front cuff 38	

NOTE: Always use a suitable front cuff. When using the front cuff 24, attach it to the front cuff 22 that is connected to the hose.

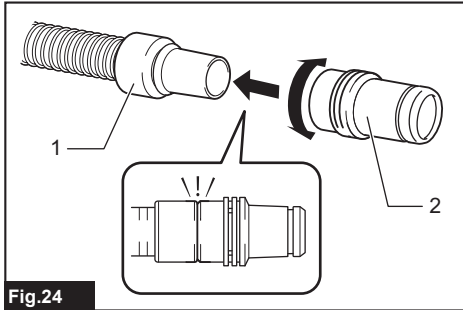


Fig.24

► 1. Front cuff 22 2. Front cuff 24

When using $\varnothing 28$ mm dust extraction hose

1. Attach the front cuff to the hose for dust extraction. When connecting the front cuff, make sure that it is securely screwed on the hose.
2. Connect the front cuff to the tool's extraction outlet.

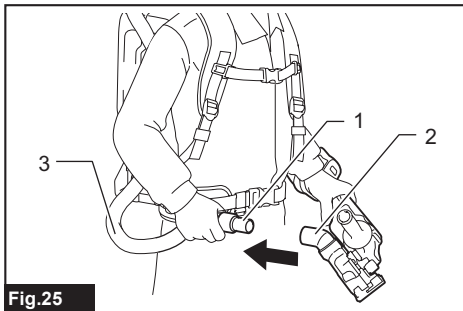


Fig.25

► 1. Front cuff 2. Extraction outlet 3. Hose

The front cuff can be detached by turning it counter-clockwise while holding the hose.

When using $\varnothing 38$ mm hose with front cuff 38

1. Twist and insert the joint or the front cuff to the inlet part on the hose, depending on the tool that you are going to connect.
2. Connect the front cuff to the tool's extraction outlet.

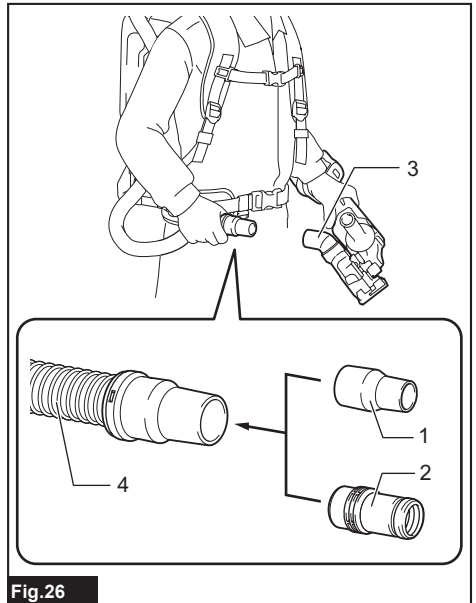


Fig.26

► 1. Joint 2. Front cuff 3. Extraction outlet 4. Hose

To remove the joint and the front cuff, follow the installation procedures in reverse.

Installing filter bag / dust bag

Optional accessory

CAUTION: Do not use a damaged filter bag. Always use the vacuum cleaner with the filter bag properly installed. Otherwise the vacuumed dust or particles may be exhausted from the cleaner and they may cause respiratory disease to the operator.

Install either dust bag or filter bag before using cleaner.

- Dust bag are usable many times repeatedly by cleaning it out.
- Filter bag is a throw-away type. Throw away the entire filter bag without emptying when it has become full.

NOTICE: When the filter bag is already full, replace with new one. When the dust bag is already full, empty it. Continuous use with the filter bag/dust bag full results in reduced suction power.

NOTICE: To prevent dust from getting into the motor:

- Make sure that the filter bag/dust bag is installed before use.
- Do not use a broken or ripped bag.

Otherwise the motor may be broken.

NOTICE: Do not fold the cardboard at its opening when installing the filter bag/dust bag.

NOTICE: The filter bag/dust bag for the cleaner is an important component for maintaining the appliance performance. Using non-genuine filter bag/dust bag may cause smoke or ignition.

NOTE: When the filter bag/dust bag is not installed in the cleaner, the front cover does not close completely.

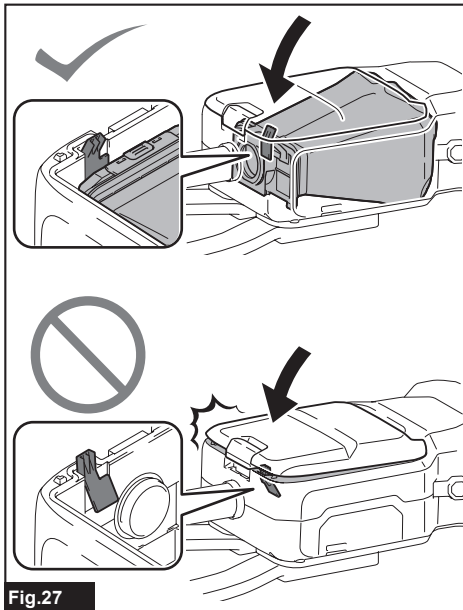


Fig.27

1. Unlock the latch by lifting the bottom side. Push the grooved area to lift the front latching side. Pull the latch to open the lid.

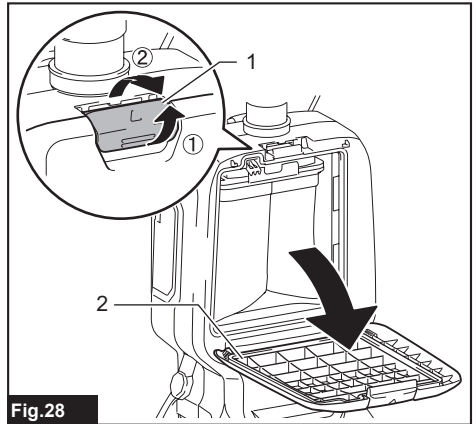


Fig.28

- 1. Hook 2. Lid

2. Insert the filter bag into the slit on the upper side of the room as illustrated.

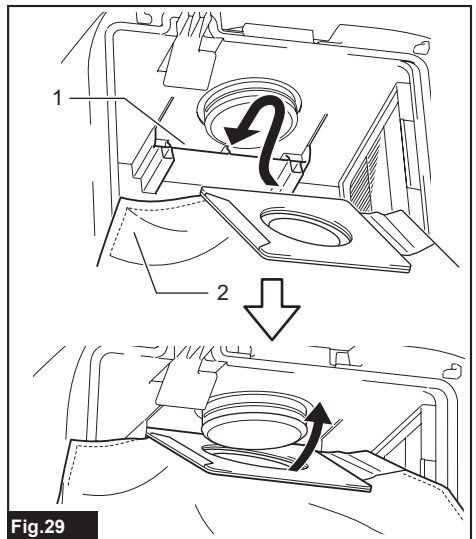


Fig.29

- 1. Slit 2. Filter bag

When using the dust bag, insert the brim of the dust bag into the slit.

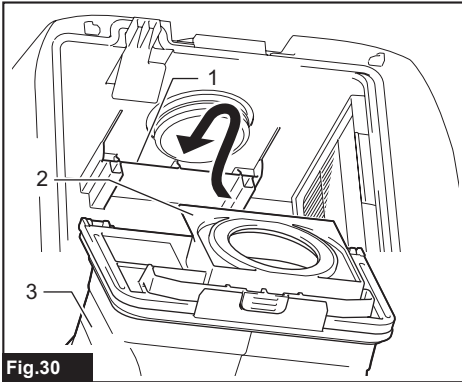


Fig.30

► 1. Slit 2. Brim 3. Dust bag

3. Align the hole of the filter bag with the hose cuff and push the cardboard portion to the end. Make sure that the rubber ring on the filter bag goes over the rim on the hose cuff.

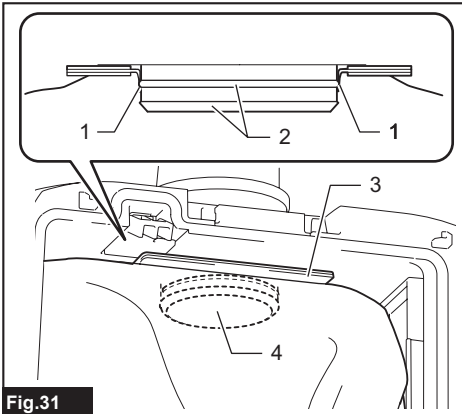


Fig.31

► 1. Rubber ring on the filter bag 2. Rim on the hose cuff 3. Cardboard portion of the filter bag 4. Hose cuff

OPERATION

⚠WARNING: Operators shall be adequately instructed on the use of the vacuum cleaner.

⚠WARNING: This vacuum cleaner is not suitable for picking up hazardous dust.

⚠CAUTION: This cleaner is for dry use only.

⚠CAUTION: This cleaner is for indoor use only.

⚠CAUTION: Always insert the battery cartridge all the way until it locks in place. If you can see the red indicator on the upper side of the button, it is not locked completely. Insert it fully until the red indicator cannot be seen. If not, it may accidentally fall out of the appliance, causing injury to you or someone around you.

⚠CAUTION: During operation, be conscious of the vacuum cleaner on your back. You may lose your balance if the vacuum cleaner body bumps against a wall or the hose is hooked by an obstacles.

1. Shoulder the vacuum cleaner body and fasten upper and lower belts. Adjust the tightness as necessary.

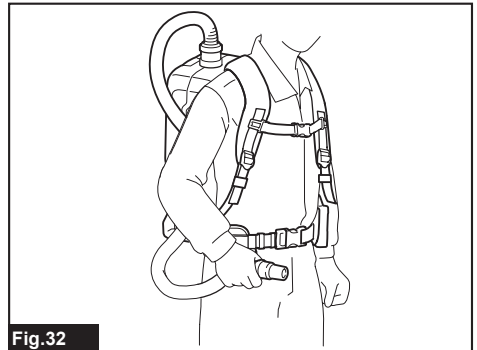


Fig.32

2. Press $\left[\begin{smallmatrix} 1-2-3 \\ 0 \end{smallmatrix} \right]$ button to start vacuuming. If you want to change the suction power, press $\left[\begin{smallmatrix} 1-2-3 \\ 0 \end{smallmatrix} \right]$ button until the desired suction power is selected. Press $\left[\begin{smallmatrix} 1-2-3 \\ 0 \end{smallmatrix} \right]$ button to stop.

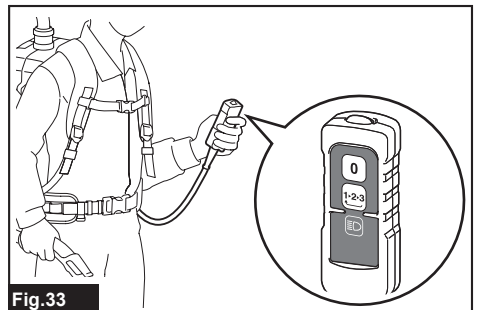


Fig.33

During the operation, hook the switch box on the ring or the lower belt. The hook can be slanted for lighting forward when hooked on the lower belt.

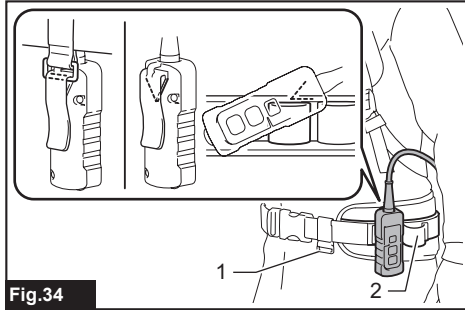


Fig.34

► 1. Ring 2. Lower belt

3. Replace the filter bag when it becomes full. Open the lid and take out the filter bag. Pull the strip on the side of the opening to shut the filter bag and dispose of the filter bag in whole.

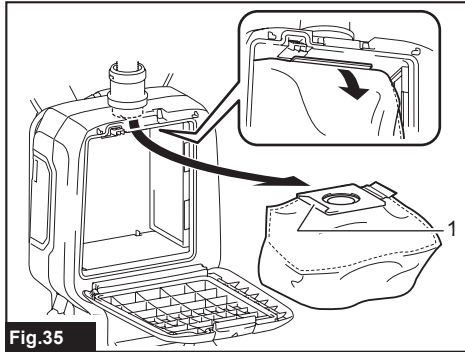


Fig.35

► 1. Strip

When using a dust bag, take out the dust bag and dispose of the dust by releasing the latch.

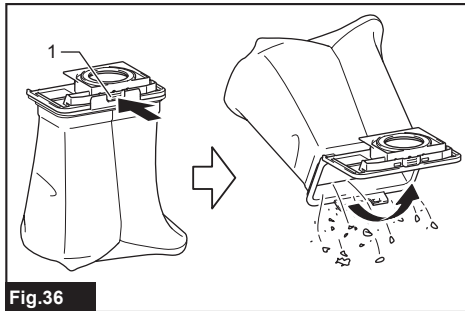


Fig.36

► 1. Latch

NOTICE: Do not put filter bag/dust bag or other heavy objects on the lid. The appliance may fall down.

NOTICE: Periodically check the filter bag if it is full. Continuous use with the filter bag full results in reduced suction power.

NOTICE: Do not use an used filter bag. The filter bag is designed for single use. Using filter bag repeatedly may cause clogging of the filter and results in damage to the cleaner. If you want to use the bag repeatedly, use a dust bag.

MAINTENANCE

CAUTION: Always be sure that the appliance is switched off and the battery cartridge is removed before attempting to perform inspection or maintenance.

NOTICE: Never use gasoline, benzine, thinner, alcohol or the like. Discoloration, deformation or cracks may result.

To maintain product SAFETY and RELIABILITY, repairs, any other maintenance or adjustment should be performed by Makita Authorized or Factory Service Centers, always using Makita replacement parts.

Cleaning the HEPA filter

CAUTION: Do not use the vacuum cleaner without a filter or continue to use dirty or damaged filter. Vacuumed dust or particles may be exhausted from the cleaner and they may cause respiratory disease to the operator.

NOTICE: To keep optimum suction power and clean exhaust, clean the filter periodically. If enough suction power is not obtained even after the cleaning, replace the filter with new one.

NOTICE: To prevent the filter from being damaged, do not use following tools and similar items for cleaning :

- Air duster
- High pressure washer
- Tools made of hard materials such as a metallic brush

1. Open the lid and take out the filter bag/dust bag. Release the hook on the filter and remove it from the vacuum cleaner body.

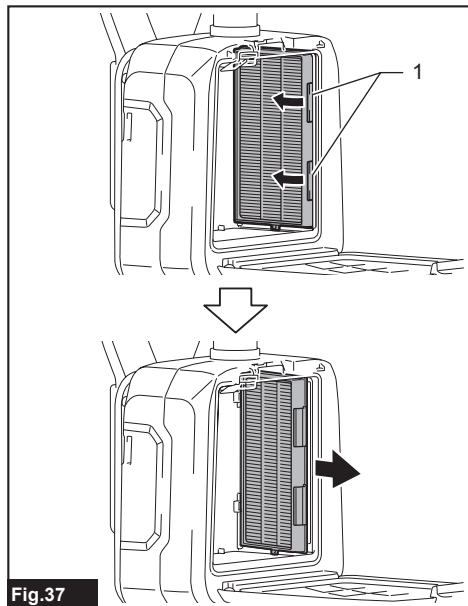


Fig.37

► 1. Hook

2. Beat the dust off from the filter. The filter can be washed with water. Rinse away the dust and particles on the filter every 1 or 2 month. After that, dry the filter completely in a shaded and well-ventilated place to prevent unpleasant odor or malfunctions.

3. To install the filter, insert the side without the hooks into the groove then push in the filter until the hooks are secured with a click.

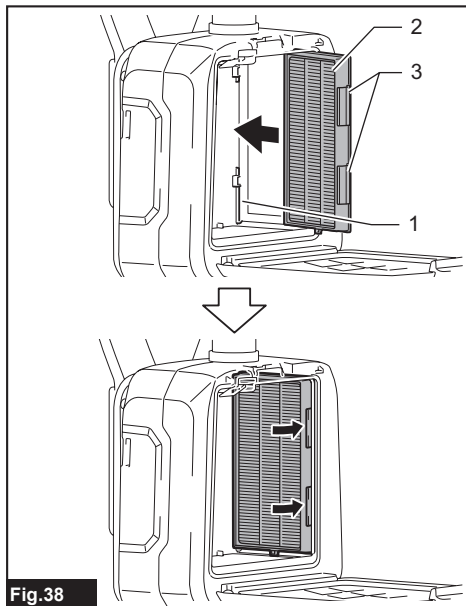


Fig.38

► 1. Groove 2. HEPA filter 3. Hook

Cleaning the dust bag

Regularly clean the dust bag with soap and water. Turn the dust bag inside out and remove the sticky dust. Wash lightly by hand and rinse well with water. Dry completely before installing to the vacuum cleaner.

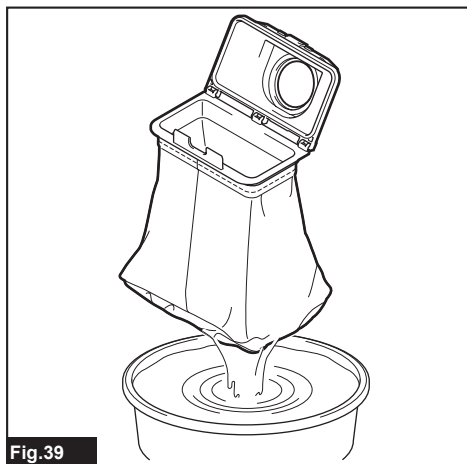


Fig.39

NOTICE: Wet dust bag lowers the vacuuming performance as well as the life of the motor.

Cleaning the clog

When cleaning the clog, remove the hose or the extension wand, or the bent pipe assembly to check inside.

Removing/attaching the snap-on type bent pipe assembly

To remove, pull the bent pipe assembly while pressing both of the tab on the hose end.

To attach, insert the hose end into the bent pipe assembly. Make sure that the tabs on the hose end snap into the holes on the bent pipe assembly.

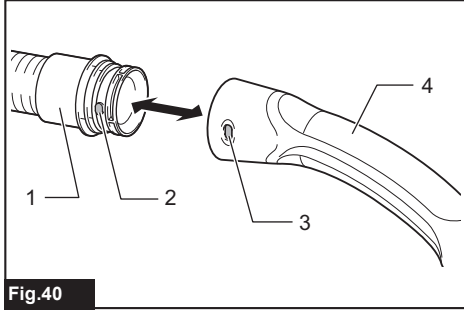


Fig.40

► 1. Hose end 2. Tab 3. Hole 4. Bent pipe assembly

Removing/attaching the screw-in type bent pipe assembly

To remove, loosen the sleeve of bent pipe assembly from the hose.

To attach, fasten the sleeve of bent pipe assembly onto the hose.

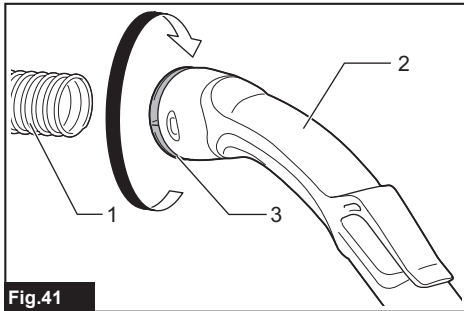


Fig.41

► 1. Hose 2. Bent pipe assembly 3. Sleeve

Cleaning the room for filter bag/dust bag

When cleaning the room for filter bag/dust bag, remove and wipe the board inside.

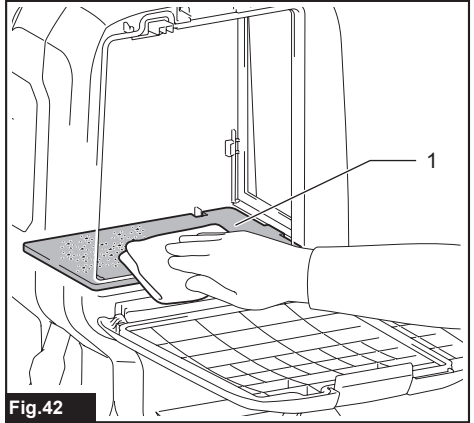


Fig.42

► 1. Board

Removing the board

1. Remove the HEPA filter. Refer to the section for cleaning the HEPA filter for how to remove.
2. Push down the board, and slide it to left until the board touches the wall.
3. Lift the right side of the board up and take it out.

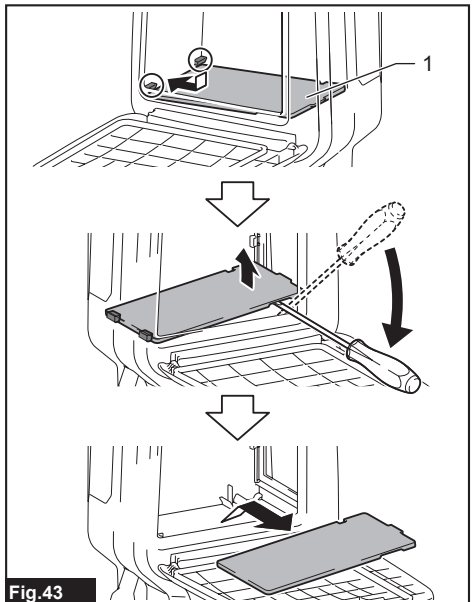


Fig.43

► 1. Board

The board is supported by three springs.
If the springs came off from the board or the lever,
reattach them as illustrated.

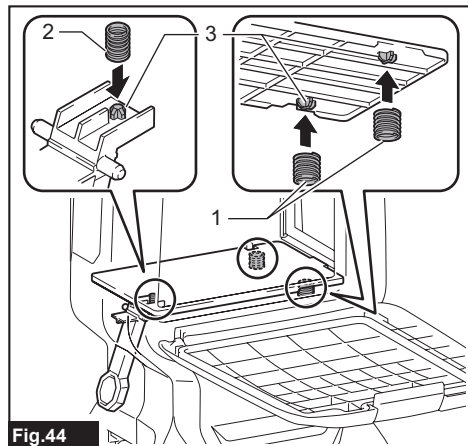


Fig.44
▶ 1. Spring for board 2. Spring for lever 3. Projection

NOTE: Attach the springs securely so that the springs touch the root of the projections.

Attaching the board

1. Insert the straight side of the board into the catches in the lower left side of the room.
2. Put the right side of the board in place.

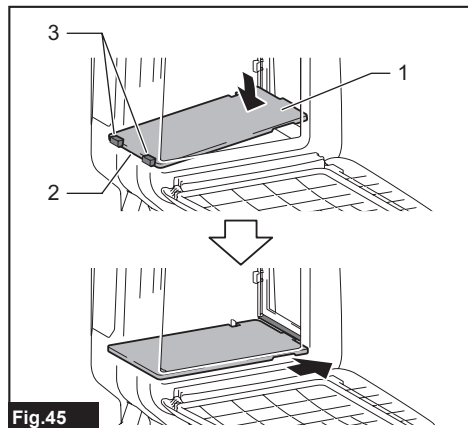


Fig.45
▶ 1. Board 2. Straight side 3. Catch

OPTIONAL ACCESSORIES

CAUTION: These accessories or attachments are recommended for use with your Makita product specified in this manual. The use of any other accessories or attachments might present a risk of injury to persons. Only use accessory or attachment for its stated purpose.

If you need any assistance for more details regarding these accessories, ask your local Makita Service Center.

- Hose (for vacuum cleaner type)
- Hose (for dust extraction type)
- Extension wand
- Free nozzle
- T-shape nozzle
- Seat nozzle
- Corner nozzle
- Shelf brush
- Round brush
- Bent pipe assembly
- Filter bag
- Dust bag
- Front cuff
- HEPA filter
- Pipe
- Cyclone attachment
- Makita genuine battery and charger

NOTE: Some items in the list may be included in the tool package as standard accessories. They may differ from country to country.

Cyclone attachment

NOTE: When using the cyclone attachment with this appliance, the bent pipe is also required.

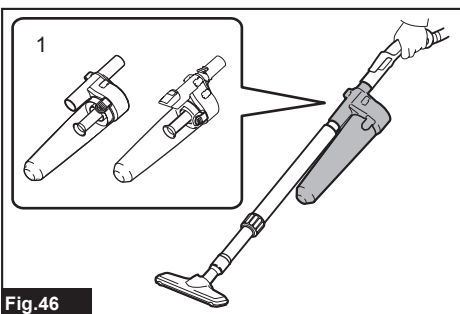


Fig.46
▶ 1. Cyclone attachment

About the cyclone attachment

Using the cleaner with the cyclone attachment installed reduces the amount of dust that enters the dust bag, which helps to prevent the suction force from weakening. In addition, cleaning after use is also simple.

⚠ CAUTION: Always be sure that the tool is switched off and the battery cartridge is removed before carrying out any work on the tool. If the battery cartridge is left inserted, the cleaner may start unexpectedly and result in injury.

⚠ CAUTION: Clean the mesh filter of the cyclone attachment and the dust bag of the cleaner unit when they become clogged. Continued use in the clogged condition may result in heating or smoke.

NOTICE: When the cyclone attachment is attached, do not use the cyclone attachment in the horizontal or upward facing condition. Doing so may cause the mesh filter to become clogged.

NOTICE: Always use the cleaner with the dust bag installed, even when using the cyclone attachment. Using the cleaner without the dust bag installed may result in a motor malfunction.

NOTE: Check that the cyclone attachment, cleaner, and straight pipe are locked properly before use.

NOTE: Empty the dust case of the cyclone attachment and the dust bag of the cleaner when dust has accumulated. Continued use will result in weakened suction force.

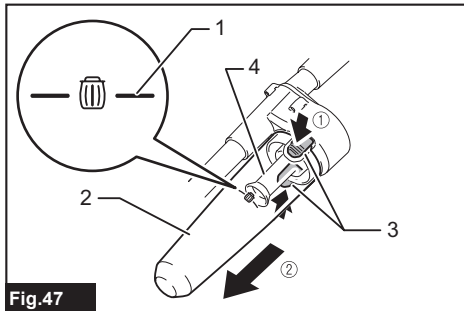
NOTE: You can use the cyclone attachment with or without lock function.

NOTE: To install or remove the cyclone attachment, refer to the section "Using as a cleaner".

Disposing of dust

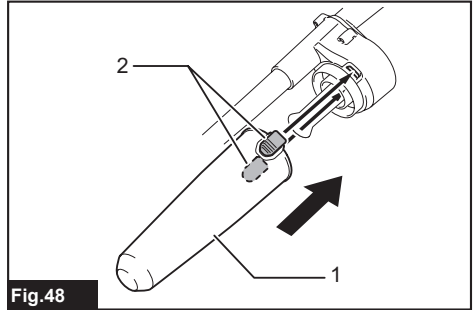
When dust has accumulated up to the full line of the dust case, follow the procedure below and dispose of the dust.

1. Hold the dust case firmly, press and hold the two buttons, and remove the dust case.



- 1. Full line 2. Dust case 3. Button (two locations)
4. Mesh filter

2. Dispose of the dust inside the dust case and remove any dust and powder adhered to the surface of the mesh filter.
3. Insert the dust case all the way until the two buttons lock with a click.



- 1. Dust case 2. Button (two locations)

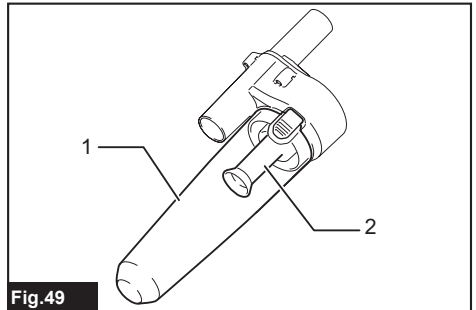
NOTE: Check that the cyclone attachment, cleaner, and straight pipe are locked properly before restarting operation.

NOTE: If the suction force does not recover even after disposing of the dust and cleaning the mesh filter, check whether dust has accumulated in the dust bag of the cleaner or clogging has occurred.

Cleaning

When the dust case becomes dirty or the mesh filter is clogged, remove and wash them with water. (Refer to "Disposing of dust" for the removal procedure.)

Dry the parts thoroughly before reinstallation and use.



- 1. Dust case 2. Mesh filter

When the mesh filter gets dirty badly, clean it in the following procedures.

1. Turn the mesh filter counterclockwise and remove it while the hooks are unlocked.

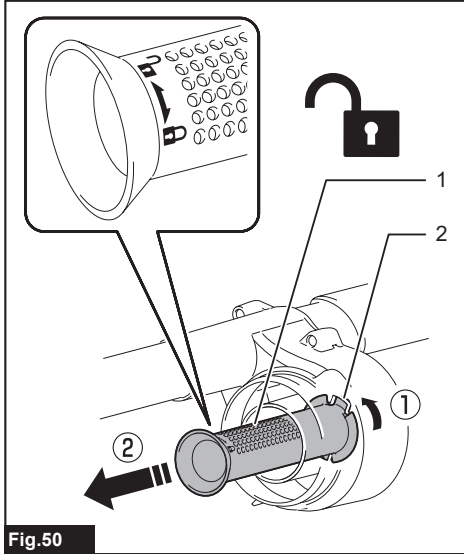


Fig.50

► 1. Mesh filter 2. Hook

2. Remove the dust on the mesh filter and then wash it with water. After that, dry it thoroughly.
3. Insert the mesh filter into the base while the hooks are aligned with the port. Turn the mesh filter clockwise until the hooks are locked with a click. Make sure that the mesh filter is installed securely.

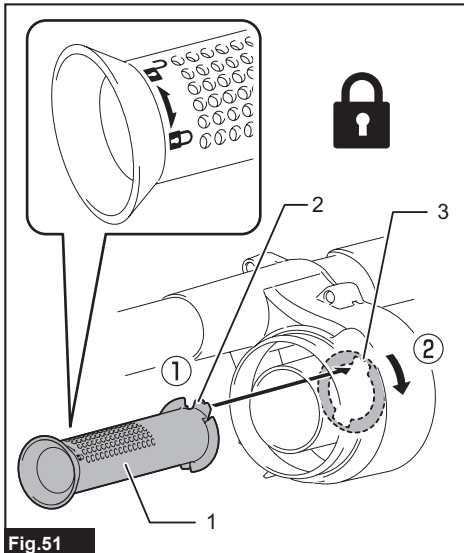


Fig.51

► 1. Mesh filter 2. Hook 3. Port

MAKITA LIMITED WARRANTY

Please refer to the annexed warranty sheet for the most current warranty terms applicable to this product. If annexed warranty sheet is not available, refer to the warranty details set forth at below website for your respective country.

United States of America: www.makitatools.com

Canada: www.makita.ca

Other countries: www.makita.com

SPÉCIFICATIONS

Modèle :		DVC660
Capacité	Sac filtre	6,0 L (1,6 gal.)
	Sac à poussières	5,5 L (1,5 gal.)
Volume d'air maximum	Avec tuyau ø28 mm (1-1/8") x 1,0 m (39-3/8")	2,0 m³/min (70,6 cu.ft/min)
	Avec tuyau ø32 mm (1-1/4") x 1,0 m (39-3/8")	2,2 m³/min (77,7 cu.ft/min)
Aspiration		110 hPa
Dimensions (L x P x H) (harnais non compris)		297 mm x 174 mm x 523 mm (11-3/4" x 6-7/8" x 20-5/8")
Tension nominale		C.C. 36 V
Poids net		6,1 - 6,7 kg (13,4 - 14,8 lbs)

- Étant donné l'évolution constante de notre programme de recherche et développement, les spécifications contenues dans ce manuel sont sujettes à modification sans préavis.
- Les spécifications peuvent varier d'un pays à l'autre.
- Le poids ne comprend pas les accessoires autres que la/les batterie(s). Les combinaisons la plus légère et la plus lourde d'appareil et de batterie(s) sont indiquées dans le tableau.
- La longueur du tuyau fourni varie selon le pays.

Batteries et chargeurs applicables

Batterie	BL1815N / BL1820B / BL1830 / BL1830B / BL1840B / BL1850B / BL1860B
Chargeur	DC18RC / DC18RD / DC18RE / DC18SD / DC18SE / DC18SF / DC18SH

- Suivant la région où vous habitez, il se peut que certaines des batteries et certains des chargeurs énumérés ci-dessus ne soient pas disponibles.

⚠ MISE EN GARDE : Utilisez exclusivement les batteries et chargeurs énumérés ci-dessus. L'utilisation de toute autre batterie ou tout autre chargeur peut entraîner une blessure et/ou un incendie.

⚠ MISE EN GARDE : N'utilisez pas une source d'alimentation filaire comme un adaptateur de batterie ou un support d'alimentation portable avec cet outil. Porter plus d'un harnais à la fois rend difficiles l'utilisation et la libération de l'outil, et peut entraîner une blessure.

CONSIGNES DE SÉCURITÉ

IMPORTANTES CONSIGNES DE SÉCURITÉ

Lors de l'utilisation d'un appareil électrique, vous devez toujours prendre des précautions de base, dont les suivantes :

CONSERVEZ CES INSTRUCTIONS.

MISE EN GARDE

Pour réduire les risques d'incendie, de décharge électrique et de blessure :

1. Ne quittez pas l'appareil alors que la batterie y est insérée. Retirez la batterie de l'appareil lorsqu'il n'est pas utilisé et avant de le faire réparer.
2. Ne l'utilisez pas sur des surfaces mouillées. Ne l'exposez pas à la pluie. Rangez-le à l'intérieur.
3. Ne laissez pas les enfants l'utiliser comme jouet. Une attention particulière est nécessaire lors de l'utilisation à proximité d'enfants.

4. **Utilisez l'outil uniquement de la façon décrite dans ce manuel. Utilisez uniquement les accessoires recommandés par le fabricant.**
5. **Ne l'utilisez pas avec une batterie endommagée. Si l'appareil ne fonctionne pas bien, s'il a été échappé, endommagé, laissé à l'extérieur ou échappé dans l'eau, retournez-le à un centre de service après-vente.**
6. **Ne manipulez pas l'appareil avec les mains mouillées.**
7. **Ne mettez rien dans les ouvertures. N'utilisez jamais l'outil si une des ouvertures est bouchée ; gardez ces dernières exemptes de poussières, charpies, cheveux ou tout objet pouvant réduire la circulation de l'air.**
8. **Gardez les cheveux, les vêtements amples, les doigts et toute autre partie du corps à l'écart des ouvertures et des pièces en mouvement.**
9. **Mettez toutes les commandes hors tension avant de retirer la batterie.**
10. **Soyez tout particulièrement prudent lorsque vous nettoyez sur les marches d'un escalier.**
11. **Ne l'utilisez pas pour aspirer des liquides inflammables ou combustibles tels que l'essence, ou dans des zones où de tels liquides peuvent être présents.**
12. **N'aspirez pas d'objets qui brûlent ou dégagent de la fumée, tels que des cigarettes, des allumettes ou des cendres encore chaudes.**
13. **N'utilisez pas l'appareil sans mettre en place le sac de collecte des poussières.**
14. **Ne chargez pas la batterie à l'extérieur.**
15. **Évitez le démarrage accidentel. Assurez-vous que l'interrupteur est sur la position d'arrêt avant de connecter la batterie, de ramasser l'appareil ou de le transporter. Transporter l'appareil avec le doigt sur l'interrupteur, ou mettre l'appareil sous tension avec l'interrupteur en position de marche ouvre la porte aux accidents.**
16. **Déconnectez la batterie de l'appareil avant d'effectuer tout réglage, de remplacer les accessoires ou de ranger l'appareil.** Ces mesures de sécurité préventives réduiront le risque de démarrage accidentel de l'appareil.
17. **Ne rechargez la batterie qu'avec le chargeur spécifié par le fabricant.** Un chargeur adéquat pour un type donné de batterie peut entraîner un risque d'incendie lorsque utilisé avec un autre type de batterie.
18. **Utilisez les appareils uniquement avec les batteries spécifiquement désignées.** L'utilisation de toute autre batterie peut entraîner un risque de blessure et d'incendie.
19. **Lorsque la batterie n'est pas utilisée, gardez-la à l'écart des autres objets métalliques tels que trombones, pièces de monnaie, clés, clous, vis et autres petits objets métalliques qui peuvent établir une connexion entre deux bornes.** Le court-circuitage des bornes de batterie peut causer des brûlures ou un incendie.
20. **Dans des conditions d'utilisation abusives, du liquide peut être éjecté de la batterie; évitez tout contact. En cas de contact accidentel, rincez à l'eau. Si le liquide entre en contact avec les yeux, consultez aussi un médecin.** Le liquide éjecté de la batterie peut causer de l'irritation ou des brûlures.
21. **N'utilisez pas une batterie ou un appareil endommagé ou modifié.** Les batteries endommagées ou modifiées peuvent avoir un comportement imprévisible dont peuvent résulter un incendie, une explosion ou un risque de blessure.
22. **N'exposez pas une batterie ou un appareil au feu ou à une température excessive.** L'exposition au feu ou à une température supérieure à 130 °C peut entraîner une explosion.
23. **Respectez toutes les instructions de charge, et ne chargez pas la batterie ou l'appareil hors de la plage de température spécifiée dans les instructions.** Charger de manière inadéquate ou à des températures hors de la plage spécifiée peut endommager la batterie et fait augmenter le risque d'incendie.

24. **L'entretien doit être confié à un réparateur qualifié et n'utilisant que des pièces de rechange identiques aux pièces d'origine.** Cela assurera le maintien du produit dans un état sécuritaire.
25. **Ne modifiez pas ou n'essayez pas de réparer l'appareil ou la batterie autrement que tel qu'indiqué dans les instructions d'utilisation et d'entretien.**
26. **N'utilisez pas une source d'alimentation filaire comme un adaptateur de batterie ou un support d'alimentation portable avec cette machine.**
Le câble de la source d'alimentation peut affecter le fonctionnement et entraîner une blessure.

CONSERVEZ CES INSTRUCTIONS.

Cet appareil est conçu pour un usage commercial.

RÈGLES DE SÉCURITÉ SUPPLÉMENTAIRES

1. **Lisez attentivement ce mode d'emploi et le mode d'emploi du chargeur avant d'utiliser l'appareil.**
2. **N'utilisez pas l'appareil pour aspirer les matières suivantes :**
 - **Liquides inflammables (kérosène, essence, solvants tels que benzine, diluant, etc.)**
 - **Substances chaudes qui brûlent ou dégagent de la fumée (cigarettes, allumettes, bâtons d'encens, chandelles, cendres chaudes), étincelles et poussières métalliques générées par la coupe ou le meulage du métal, etc.**
 - **Matières inflammables (encre en poudre, peinture, substance vaporisée, etc.)**
 - **Mousses telle qu'agent de nettoyage pour tapis, etc. (elles peuvent causer une explosion ou un incendie)**

- **Substances explosives ou pyrophoriques (nitroglycérine, aluminium, magnésium, titane, zinc, phosphore rouge, phosphore jaune, celluloïd, etc., et leurs poussières, gaz ou vapeurs)**
- **Objets tranchants (verre, coutellerie, éclat de bois, métal, pierre, clou, rasoir, punaise, etc.)**
- **Poudre fine solidifiante et conductrice (poudre de métal ou de carbone)**
- **Déshydrateur**
- **Grande quantité de poudre (farine, poudre d'extincteur, etc.)**
- **Substances qui causent des symptômes d'intoxication**
- **Produits chimiques corrosifs (acide, lixiviat, etc.)**
- **Déchets liquides ou humides, y compris vomi et excréments**
- **Amiante**
- **Pesticides**

Ces applications peuvent causer un incendie, une blessure et/ou des dommages matériels.

Pour réduire le risque d'exposition à ces produits chimiques, portez toujours des dispositifs de protection respiratoire approuvés, tels que des masques antipoussières spécialement conçus pour filtrer les particules microscopiques. Dirigez l'air évacué loin de votre visage et de votre corps.

NOTE : Lisez la réglementation OSHA sur la poussière de silice pour comprendre les exigences nécessaires pour réduire l'exposition à la poussière de silice sur le lieu de travail. Des règles spécifiques s'appliquent aux matériaux de perçage, de coupe de démolition et de meulage qui contiennent de la silice. Toutes les exigences de l'OSHA concernant la réduction de la poussière de silice sont disponibles sur le site web de l'OSHA : www.osha.gov.

3. **Arrêtez immédiatement votre outil dès que vous observez quelque chose d'anormal.**
4. **Si vous échappez ou heurtez l'aspirateur, vérifiez soigneusement l'absence de fissures ou dommages avant de l'utiliser à nouveau.**
5. **Ne l'approchez pas du four ni de toute autre source de chaleur.**
6. **N'obstruez pas le trou d'admission ou les trous d'évent.**
6. **Dans des conditions d'utilisation inadéquates de la batterie, il peut y avoir fuite d'électrolyte; évitez tout contact avec ce liquide. En cas de contact accidentel, rincez avec beaucoup d'eau. Si le liquide pénètre dans vos yeux, il faut aussi consulter un médecin. L'électrolyte qui s'échappe de la batterie peut causer des irritations ou des brûlures.**
7. **N'utilisez pas une batterie ou un appareil endommagé ou modifié. Les batteries endommagées ou modifiées peuvent se comporter de manière imprévisible et entraîner un incendie, une explosion ou un risque de blessure.**

Utilisation et entretien des outils alimentés par batterie

1. **Évitez les démarrages accidentels. Assurez-vous que l'interrupteur est sur la position d'arrêt avant de connecter la batterie, de ramasser l'appareil ou de le transporter.** Transporter l'appareil avec le doigt sur l'interrupteur, ou mettre l'appareil sous tension avec l'interrupteur en position de marche ouvre la porte aux accidents.
2. **Déconnectez la batterie de l'appareil avant d'effectuer tout réglage, de remplacer les accessoires ou de ranger l'appareil.** De telles mesures de prévention réduisent le risque de démarrage accidentel de l'appareil.
3. **Pour recharger, utilisez uniquement le chargeur spécifié par le fabricant.** L'utilisation d'un chargeur conçu pour un type donné de bloc-piles comporte un risque d'incendie lorsqu'il est utilisé avec un autre type de bloc-piles.
4. **Utilisez les appareils uniquement avec les batteries spécifiquement désignées.** L'utilisation de tout autre bloc-piles peut entraîner un risque de blessure et d'incendie.
5. **Lorsque vous n'utilisez pas le bloc-piles, rangez-le à l'écart des objets métalliques tels que trombones, pièces de monnaie, clés, clous, vis ou autres petits objets métalliques qui risqueraient d'établir une connexion entre les bornes.** La mise en court-circuit des bornes de batterie peut causer des brûlures ou un incendie.
8. **N'exposez pas une batterie ou un appareil au feu ou à une température excessive. L'exposition au feu ou à une température supérieure à 130 °C peut provoquer une explosion.**
9. **Respectez toutes les instructions de charge, et ne chargez pas la batterie ou l'appareil hors de la plage de température spécifiée dans les instructions.** Charger de manière inadéquate ou à des températures hors de la plage spécifiée peut endommager la batterie et fait augmenter le risque d'incendie.
10. **Confiez l'entretien à un réparateur qualifié et n'utilisant que des pièces de rechange identiques aux pièces d'origine.** Cela assurera le maintien du produit dans un état sécuritaire.
11. **Ne modifiez pas ou n'essayez pas de réparer l'appareil ou la batterie autrement que tel qu'indiqué dans les instructions d'utilisation et d'entretien.**

Symboles

Les symboles utilisés pour l'outil sont indiqués ci-dessous.

V	volts
— — —	courant continu

Consignes de sécurité importantes pour la batterie

1. **Avant d'utiliser la batterie, lisez toutes les instructions et les mises en garde apposées sur (1) le chargeur de batterie, (2) la batterie et (3) le produit utilisant la batterie.**
2. **Ne démontez pas et ne modifiez pas la batterie.** Cela peut entraîner un incendie, une chaleur excessive ou une explosion.
3. **Cessez immédiatement l'utilisation si le temps de fonctionnement devient excessivement court.** Il y a risque de surchauffe, de brûlures, voire d'explosion.
4. **Si l'électrolyte pénètre dans vos yeux, rincez-les à l'eau claire et consultez immédiatement un médecin.** Il y a risque de perte de la vue.
5. **Ne court-circuitez pas la batterie :**
 - (1) **Ne touchez les bornes avec aucun matériau conducteur.**
 - (2) **Évitez de ranger la batterie dans un conteneur avec d'autres objets métalliques tels que clous, pièces de monnaie, etc.**
 - (3) **Évitez d'exposer la batterie à l'eau ou à la pluie.**

Un court-circuit de la batterie pourrait provoquer un fort courant, une surchauffe, parfois des brûlures et même une panne.
6. **Ne rangez pas et n'utilisez pas l'outil ou la batterie dans des emplacements où la température peut atteindre ou dépasser 50 °C (122 °F).**
7. **Ne jetez pas la batterie au feu même si elle est sérieusement endommagée ou complètement épuisée.** La batterie peut exploser au contact du feu.
8. **Évitez de clouer, de couper, d'écraser, de lancer ou d'échapper la batterie, ou de heurter un objet dur contre la batterie.** Cela peut entraîner un incendie, une chaleur excessive ou une explosion.
9. **N'utilisez pas une batterie si elle est endommagée.**
10. **Les batteries lithium-ion fournies sont soumises aux exigences de la législation sur les marchandises dangereuses.**

Des exigences particulières sur l'emballage et l'étiquetage doivent être respectées lors du transport commercial par des tiers, des transitaires, etc.

Pour préparer la marchandise à expédier, consultez un expert en matériaux dangereux si nécessaire. Respectez aussi les éventuelles réglementations nationales plus détaillées.

Recouvrez de ruban isolant les contacts exposés, et emballez la batterie de sorte qu'elle ne puisse pas se déplacer à l'intérieur de l'emballage.
11. **Lors de l'élimination de la batterie, retirez-la de l'outil et éliminez-la dans un endroit sûr.** Respectez la réglementation locale concernant l'élimination de la batterie.
12. **N'utilisez les batteries qu'avec les produits spécifiés par Makita.** Installer les batteries sur des produits non conformes peut entraîner un incendie, une chaleur excessive, une explosion ou une fuite d'électrolyte.
13. **Suivez la réglementation locale concernant l'élimination de la batterie.**
14. **Pendant et après l'utilisation, la batterie peut accumuler de la chaleur, ce qui peut causer des brûlures ou des brûlures à basse température.** Faites attention lors de la manipulation des batteries chaudes.

15. **Ne touchez pas la borne de l'outil immédiatement après l'utilisation, car elle peut être assez chaude pour causer des brûlures.**
16. **Ne laissez pas les copeaux, les poussières ou la terre se coincer dans les bornes, les trous et les rainures de la batterie.** Cela peut entraîner un fonctionnement médiocre ou une panne de l'outil ou de la batterie.
17. **À moins que l'outil ne soit compatible avec l'utilisation à proximité des lignes électriques haute tension, n'utilisez pas la batterie à proximité d'une ligne électrique haute tension.** Cela peut entraîner un dysfonctionnement ou une panne de l'outil ou de la batterie.
18. **Gardez la batterie à l'écart des enfants.**

CONSERVEZ CE MODE D'EMPLOI.

⚠ATTENTION : Utilisez exclusivement les batteries fabriquées par Makita. Les batteries autres que celles fabriquées par Makita ou les batteries modifiées peuvent exploser et causer un incendie, une blessure ou des dommages. Cela annule aussi la garantie Makita de l'outil et du chargeur Makita.

Conseils pour maintenir la durée de service maximale de la batterie

1. **Rechargez la batterie avant qu'elle ne soit complètement déchargée. Arrêtez toujours l'outil et rechargez la batterie quand vous remarquez que la puissance de l'outil diminue.**
2. **Ne rechargez jamais une batterie complètement chargée. La surcharge réduit la durée de service de la batterie.**
3. **Chargez la batterie à une température ambiante comprise entre 10 °C et 40 °C (50 °F et 104 °F). Si la batterie est chaude, laissez-la refroidir avant de la charger.**
4. **Lorsque vous n'utilisez pas la batterie, retirez-la de l'outil ou du chargeur.**
5. **Chargez la batterie si elle est restée inutilisée pendant une période prolongée (plus de six mois).**

DESCRIPTION DU FONCTIONNEMENT

⚠ATTENTION : Assurez-vous toujours que l'appareil est éteint et que sa batterie est retirée avant de l'ajuster ou de vérifier son fonctionnement.

Installation ou retrait de la batterie

⚠ATTENTION : Éteignez toujours l'appareil avant d'installer ou de retirer la batterie.

⚠ATTENTION : Tenez fermement l'appareil et la batterie lors de l'installation ou du retrait de cette dernière. Sinon, l'appareil et la batterie pourraient vous glisser des mains, ce qui risque d'endommager l'appareil et la batterie, ou encore de provoquer des blessures.

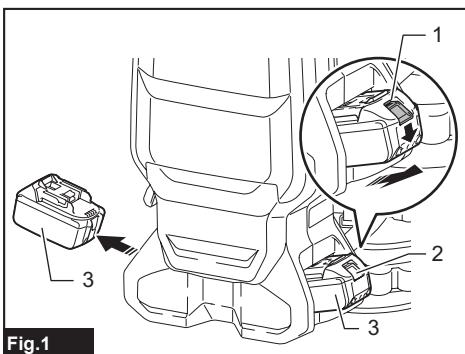


Fig.1

► 1. Indicateur rouge 2. Bouton 3. Batterie

Pour retirer la batterie, faites-la glisser de l'appareil tout en faisant glisser le bouton qui se trouve à l'avant de la batterie.

Pour installer la batterie, alignez sa languette sur la rainure pratiquée dans le boîtier, et glissez la batterie en place. Insérez-la à fond jusqu'à ce que vous entendiez un léger dé clic. Si vous pouvez voir l'indicateur rouge sur le dessus du bouton, la batterie n'est pas complètement verrouillée.

⚠ATTENTION : Installez toujours la batterie à fond, jusqu'à ce que le voyant rouge ne soit plus visible. Autrement elle risque de tomber accidentellement de l'appareil et d'entraîner des blessures.

⚠ATTENTION : Ne forcez pas sur la batterie pour l'installer. Si la batterie ne glisse pas facilement, c'est qu'elle n'est pas insérée correctement.

Dispositif de protection de l'appareil et de la batterie


L'appareil est équipé d'un dispositif de protection de l'appareil et de la batterie. Ce dispositif coupe automatiquement l'alimentation du moteur pour prolonger la durée de service de l'appareil et de la batterie. L'appareil s'arrête automatiquement pendant l'utilisation lorsque l'appareil ou la batterie se trouve dans l'une des situations suivantes :

Protection contre la surcharge

Lorsque l'appareil est utilisé d'une manière entraînant une consommation anormalement élevée de courant, il s'arrête automatiquement sans aucune indication. Le cas échéant, éteignez l'appareil et cessez l'application qui a causé la surcharge de l'appareil. Allumez ensuite l'appareil pour redémarrer.

Protection contre la surchauffe

Lorsque l'appareil est surchauffé, il s'arrête automatiquement et la lampe à DEL clignote pendant environ 60 secondes. Le cas échéant, laissez refroidir l'appareil avant de le rallumer.

Pendant que la lampe à DEL clignote, vous pouvez l'éteindre en appuyant sur le bouton .

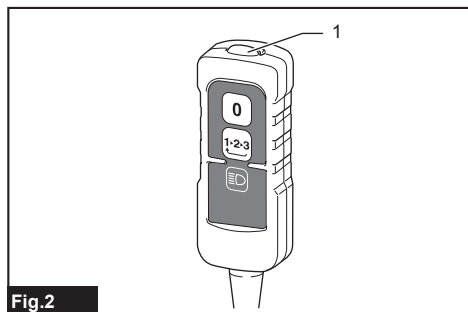


Fig.2

► 1. Lampe à DEL

Protection contre la décharge excessive

Lorsque la charge de la batterie devient faible, l'appareil s'arrête automatiquement. Si l'appareil ne fonctionne pas même lorsque vous activez les interrupteurs, retirez les batteries de l'appareil et rechargez-les.

Affichage de la charge restante de la batterie

Uniquement pour les batteries avec voyant

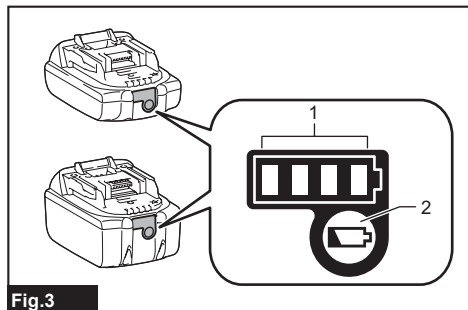


Fig.3

► 1. Témoins indicateurs 2. Bouton de vérification

Appuyez sur le bouton de vérification de la batterie pour afficher la charge restante de la batterie. Les témoins indicateurs s'allument pendant quelques secondes.

Témoins indicateurs			Charge restante
Allumé	Éteint	Clignotant	
■	□	▧	75 % à 100 %
■	■	■	50 % à 75 %
■	■	□	25 % à 50 %
■	□	□	0 % à 25 %
▧	□	□	Chargez la batterie.
■	■	□	La batterie a peut-être mal fonctionné.
□	□	■	

NOTE : Suivant les conditions d'utilisation et la température ambiante, il se peut que l'indication soit légèrement différente de la charge réelle.

NOTE : La première lampe témoin (à l'extrémité gauche) clignote lorsque le dispositif de protection de la batterie s'active.

Position du boîtier de commutateurs

Le boîtier de commutateurs peut s'accrocher d'un côté comme de l'autre de la ceinture inférieure. Placez le cordon de sorte que le boîtier de commutateurs se trouve du côté désiré. Pour éviter d'endommager le cordon, faites-le passer dans la rainure tel qu'illustré.

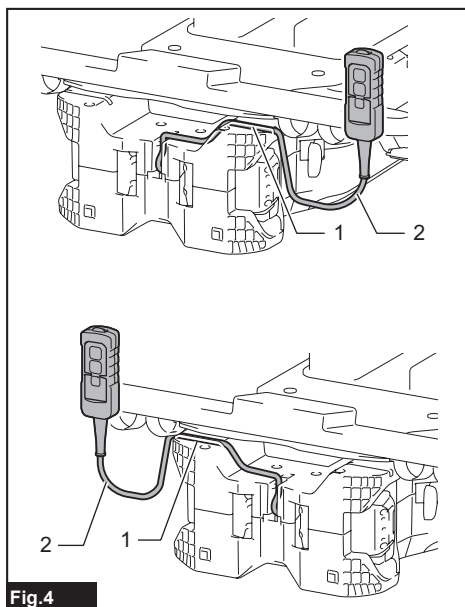


Fig.4

► 1. Rainure 2. Cordon

Réglage des ceintures

Il est possible de serrer ou desserrer les bretelles et les ceintures supérieure et inférieure. Passez d'abord les bras dans les bretelles, puis serrez les ceintures inférieure et supérieure. Pour serrer, tirez sur l'extrémité de la courroie tel qu'illustré. Pour desserrer, tirez l'extrémité de l'attache vers le haut.

Ceinture inférieure

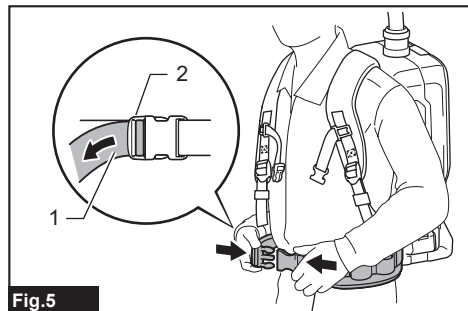


Fig.5

► 1. Courroie 2. Attache

Bretelles

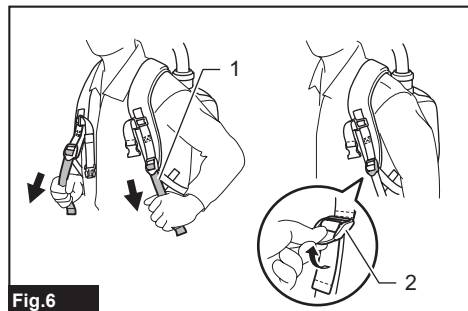


Fig.6

► 1. Courroie 2. Attache

Ceinture supérieure

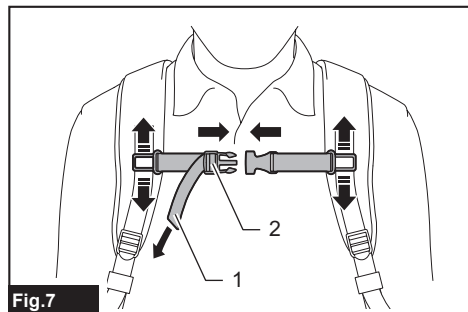


Fig.7

► 1. Courroie 2. Attache

Crochet de transport

ATTENTION : N'utilisez les pièces de suspension/montage qu'aux fins pour lesquelles elles sont prévues. L'utilisation à toute fin non prévue peut entraîner un accident ou une blessure.

Saisissez toujours le crochet de transport lorsque vous manipulez le corps de l'aspirateur.

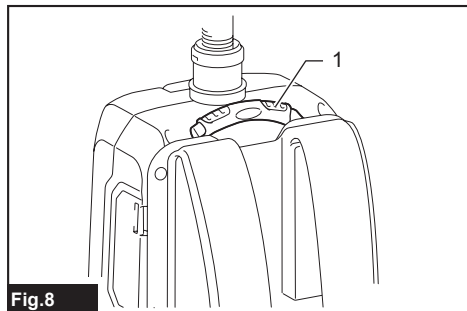


Fig.8

► 1. Crochet de transport

Interrupteur

Vous pouvez changer la puissance d'aspiration selon trois niveaux : normale (1), élevée (2) et maximale (3). Pour commencer l'aspiration, appuyez une fois sur le bouton . Pour modifier la puissance d'aspiration, appuyez sur le bouton pendant que l'aspirateur est en marche. La puissance d'aspiration change dans l'ordre suivant : normale (1), élevée (2) et maximale (3). Pour éteindre l'aspirateur, appuyez sur le bouton .

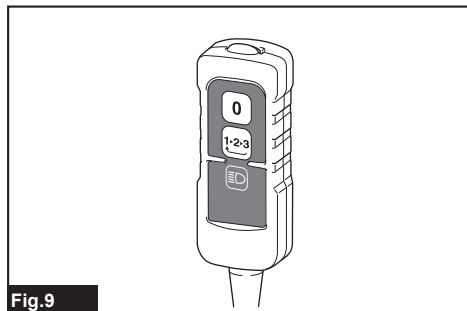




Fig.9

NOTE : Lorsque vous faites redémarrer l'aspirateur, il redémarre avec la puissance d'aspiration sur laquelle il était réglé la fois précédente.

Lampe à DEL

La tête du boîtier de commutateurs est pourvue d'une lampe à DEL pour faciliter le travail dans les endroits sombres. Appuyez sur le bouton  pour allumer la lampe. Pour l'éteindre, appuyez encore une fois sur le bouton .

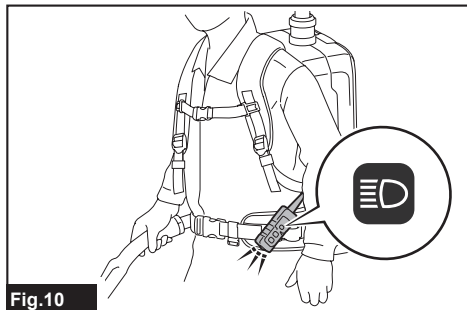


Fig.10

⚠ ATTENTION : Ne regardez pas directement la lumière ou la source de lumière. Ne dirigez jamais la lumière vers les yeux d'autres personnes.

NOTE : La lampe à DEL s'éteint automatiquement lorsque l'aspirateur reste inutilisé pendant plus de 10 minutes.

NOTE : L'aspirateur s'éteint automatiquement et la lampe à DEL clignote lorsque l'aspirateur est surchauffé en raison d'une réduction de la circulation d'air dans la machine causée par l'obstruction du tuyau, de la conduite ou du filtre, ou autres raisons. Le cas échéant, annulez la cause du problème et laissez refroidir l'aspirateur avant de le redémarrer.

Bande de retenue du tuyau

Il est possible d'utiliser la bande de retenue du tuyau pour retenir le tuyau ou la buse amovible. Pour fixer le tuyau au corps de l'aspirateur, faites passer la bande de retenue du tuyau à travers la fente du corps de l'aspirateur. Vous pouvez fixer la bande de retenue du tuyau d'un côté comme de l'autre.

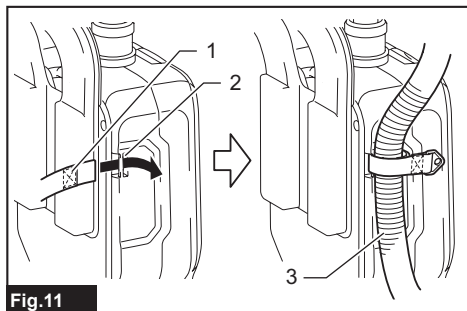


Fig.11

► 1. Bande de retenue du tuyau 2. Fente 3. Tuyau

La boucle de la ceinture inférieure peut être utilisée pour transporter les buses, tel qu'illustré.

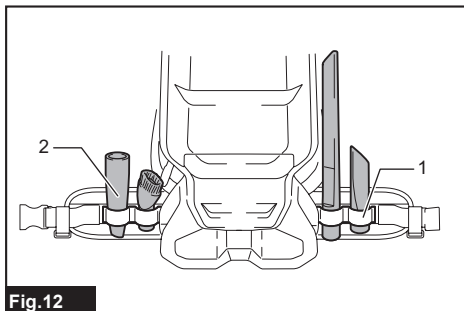


Fig.12

► 1. Boucle 2. Buses

Crochet de tuyau

Lorsque vous interrompez le travail, vous pouvez utiliser le crochet de l'ensemble de tuyau coudé pour accrocher la rallonge à la ceinture inférieure.

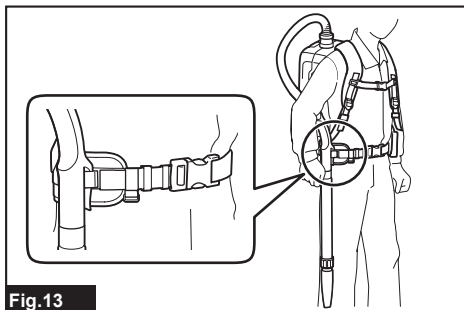


Fig.13

Dispositif de battage des poussières

Les poussières descendent lorsque vous tirez sur le levier ou lorsque vous marchez en portant l'aspirateur. Ce dispositif aide l'aspirateur à maintenir sa puissance d'aspiration.

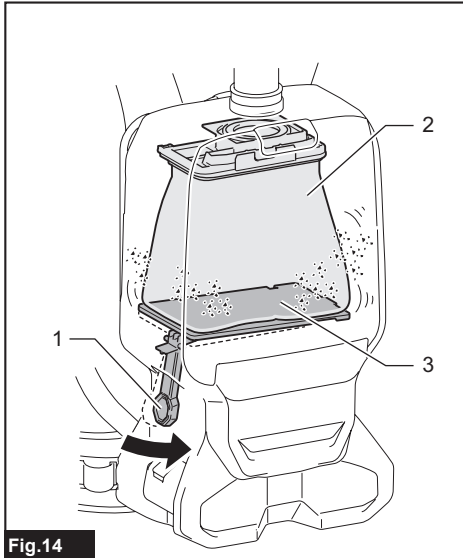


Fig.14

► 1. Levier 2. Sac filtre / sac à poussières 3. Plateau

NOTE : Cette fonction s'active lorsque l'aspirateur est éteint et que le sac filtre / sac à poussières contient une quantité de poussières qui lui fait toucher le plateau.

Utilisation en tant qu'aspirateur

Fixation de l'ensemble de tuyau coudé

Accessoire en option

NOTE : Il n'est pas nécessaire de suivre cette procédure si votre modèle est équipé d'un ensemble de tuyau coudé fixé au tuyau.

NOTE : Il y a deux types d'ensemble de tuyau coudé : celui pour tube de rallonge coulissant, et celui pour tube de rallonge annulaire. Si vous prévoyez utiliser l'ensemble de tuyau coudé, choisissez celui qui correspond au type de tube de rallonge désiré.

L'ensemble de tuyau coudé sert à raccorder le tube de rallonge ou la buse d'aspiration à ce produit.

Si vous souhaitez utiliser ce produit en tant qu'aspirateur, fixez l'ensemble de tuyau coudé au tuyau.

Pour le fixer, dévissez le manchon avant du tuyau et serrez le manchon d'ensemble de tuyau coudé sur le tuyau. Pour le retirer, desserrez le manchon d'ensemble de tuyau coudé sur le tuyau.

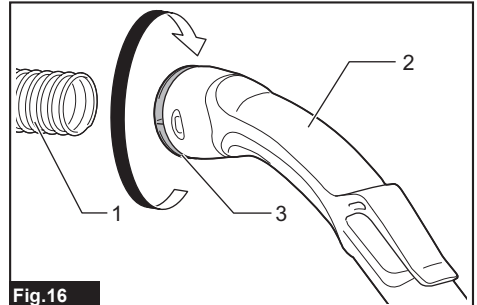


Fig.16

► 1. Tuyau 2. Ensemble de tuyau coudé 3. Manchon

ASSEMBLAGE

⚠ ATTENTION : Assurez-vous toujours que l'appareil est éteint et que sa batterie est retirée avant d'effectuer tout travail sur l'appareil.

Assemblage du tuyau

Insérez le manchon de tuyau dans le corps de l'aspirateur, et tournez-le dans le sens des aiguilles d'une montre.

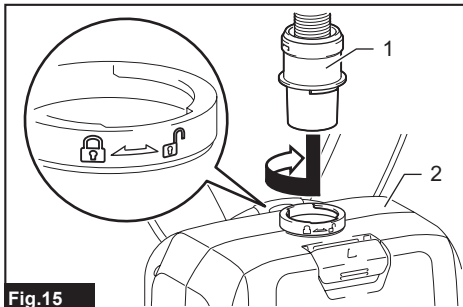


Fig.15

► 1. Manchon de tuyau 2. Corps de l'aspirateur

Assemblage de la buse et de la rallonge

Accessoire en option

NOTE : Le type de buse et de rallonge compris avec le produit varie suivant les pays. Dans certains pays, la buse et la rallonge ne sont pas comprises.

1. Insérez la buse en la faisant tourner dans le tube de rallonge.

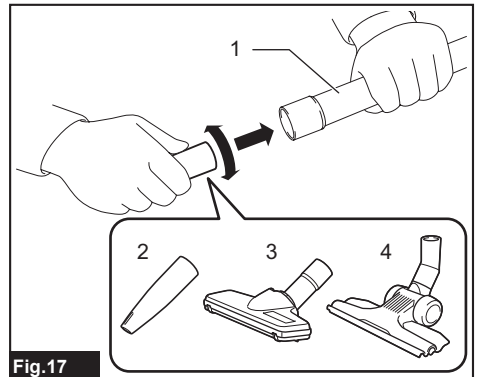


Fig.17

► 1. Tube de rallonge 2. Buse amovible 3. Buse en T 4. Buse en T (mince)

NOTE : Insérer la buse en la faisant tourner permet de la fixer fermement au tube de rallonge.

NOTE : Pour le modèle à tuyau $\varnothing 38$ mm et manchon avant 38, fixez la buse fournie au tuyau coudé en aluminium ou au tuyau rectiligne en aluminium.

2. Suivez l'une ou l'autre des procédures ci-dessous, selon le type de tube de rallonge :

NOTE : Le tube de rallonge coulissant et le tube de rallonge annulaire ne sont pas mutuellement compatibles. Si vous souhaitez remplacer le tube de rallonge coulissant par le tube de rallonge annulaire, ou vice-versa, remplacez également l'ensemble de tuyau coudé.

NOTE : La buse amovible peut être fixée directement à l'ensemble de tuyau coudé.

Pour le tube de rallonge coulissant

Enfilez le corps de l'aspirateur sur vos épaules, puis insérez le tube de rallonge dans l'ensemble de tuyau coudé jusqu'à ce qu'il s'enclenche. Pour le déconnecter, retirez le tube de rallonge en appuyant sur le bouton.

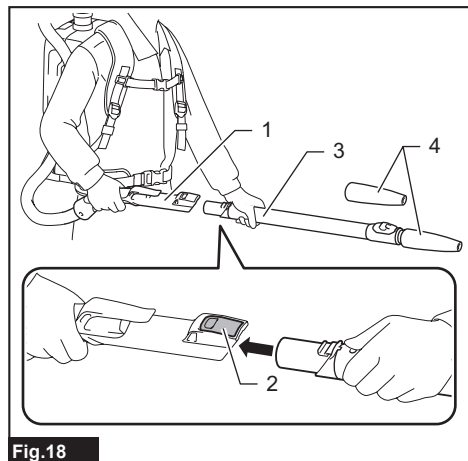


Fig.18

► 1. Ensemble de tuyau coudé 2. Bouton 3. Tube de rallonge coulissant 4. Buse amovible

La longueur de la rallonge est réglable.

En appuyant sur le bouton coulissant, ajustez la longueur de la rallonge. La longueur se verrouille lors de la libération du bouton coulissant.

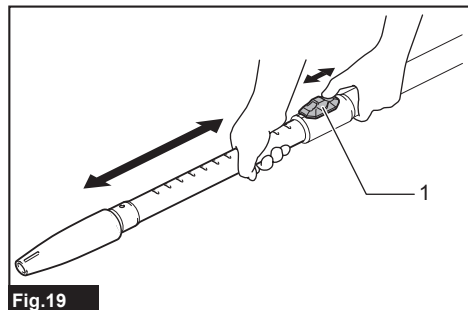


Fig.19

► 1. Bouton coulissant

Pour le tube de rallonge annulaire

Enfilez le corps de l'aspirateur sur vos épaules, puis insérez le tube de rallonge en le faisant tourner dans l'ensemble de tuyau coudé. Pour le déconnecter, retirez-le en le faisant tourner.

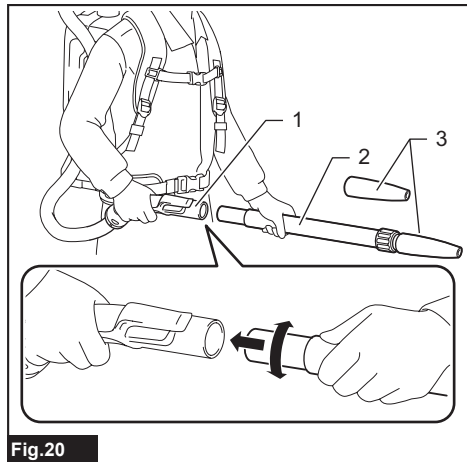


Fig.20

► 1. Ensemble de tuyau coudé 2. Tube de rallonge annulaire 3. Buse amovible

La longueur de la rallonge est réglable.

Desserrez la bague de la rallonge et ajustez la longueur de rallonge. Serrez la bague à la longueur désirée.

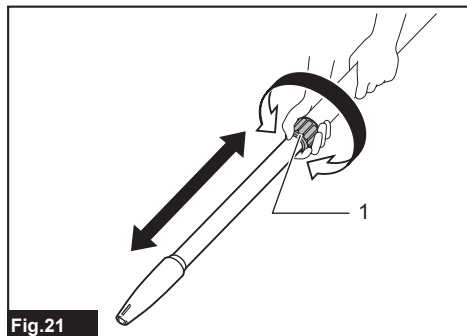


Fig.21

► 1. Bague

Pour le tuyau coudé en aluminium ou le tuyau rectiligne en aluminium

(Uniquement pour le modèle avec tuyau $\varnothing 38$ mm et manchon avant 38)

Enfilez le corps de l'aspirateur sur vos épaules, puis, en tournant le tuyau, insérez-le dans le manchon avant. Pour le déconnecter, retirez-le en le faisant tourner.

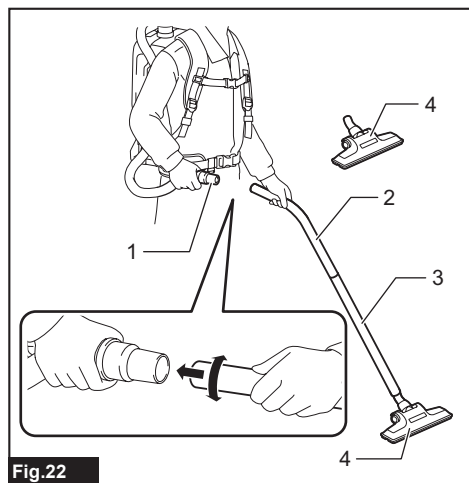


Fig.22

► 1. Manchon avant 38 2. Tuyau coudé en aluminium 3. Tuyau rectiligne en aluminium 4. Buse

Pour les deux tuyaux rectilignes en aluminium

Enfilez le corps de l'aspirateur sur vos épaules puis insérez les tuyaux en les faisant tourner. Pour le déconnecter, retirez-le en le faisant tourner.

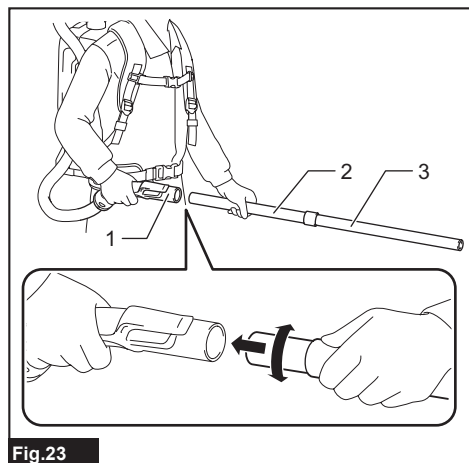


Fig.23

► 1. Ensemble de tuyau coudé 2. Tuyau rectiligne en aluminium 3. Tuyau rectiligne en aluminium 2

Raccordement de l'outil

NOTE : Retirez d'abord l'ensemble de tuyau coudé s'il est fixé au tuyau.

Pour raccorder un outil à l'aspirateur, le tuyau dédié et/ou des pièces supplémentaires sont requis. Suivant le modèle d'aspirateur, vous devrez remplacer le tuyau et/ou prévoir des pièces supplémentaires.

Pour plus de détails, reportez-vous au tableau suivant.

Diamètre du tuyau fourni	Type d'extrémité de tuyau	Mesure à prendre
$\varnothing 28$ mm	 sans pièce	Fixez le manchon avant.
	 avec pièce à fermetoir	Remplacez l'extrémité de tuyau (pièce à fermetoir) par le manchon avant. L'extrémité de tuyau peut être retirée en la tournant dans le sens contraire des aiguilles d'une montre.
$\varnothing 32$ mm	 avec pièce à fermetoir	Remplacez le tuyau par celui conçu pour la collecte des poussières ($\varnothing 28$ mm, avec manchon avant).
$\varnothing 38$ mm	 avec pièce à fermetoir	Remplacez le tuyau par celui conçu pour la collecte des poussières ($\varnothing 28$ mm, avec manchon avant).
	 avec manchon avant 38	Fixez le raccord 22-38 ou le manchon avant 24.

NOTE : Utilisez toujours un manchon avant adéquat. Lorsque vous utilisez le manchon avant 24, fixez-le au manchon avant 22 raccordé au tuyau.

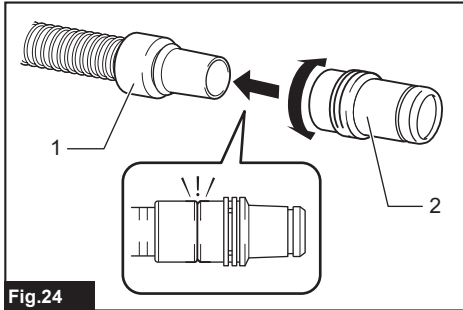


Fig.24

► 1. Manchon avant 22 2. Manchon avant 24

Lors de l'utilisation du tuyau de collecte des poussières $\varnothing 28$ mm

1. Fixez le manchon avant au tuyau pour collecte des poussières. Lors du raccordement du manchon avant, assurez-vous qu'il est fermement vissé sur le tuyau.
2. Raccordez le manchon avant à la prise de collecte de l'outil.

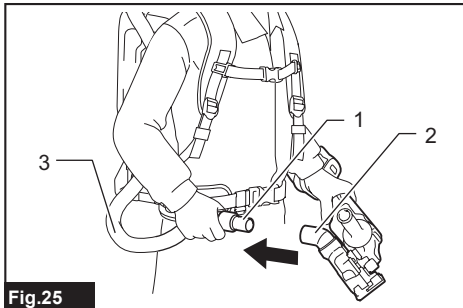


Fig.25

► 1. Manchon avant 2. Prise de collecte 3. Tuyau

Pour détacher le manchon avant, tournez-le dans le sens contraire des aiguilles d'une montre tout en tenant le tuyau.

Lors de l'utilisation d'un tuyau $\varnothing 38$ mm avec un manchon avant 38

1. En le faisant tourner, insérez dans l'entrée du tuyau le raccord ou le manchon avant, suivant l'outil à raccorder.
2. Raccordez le manchon avant à la prise de collecte de l'outil.

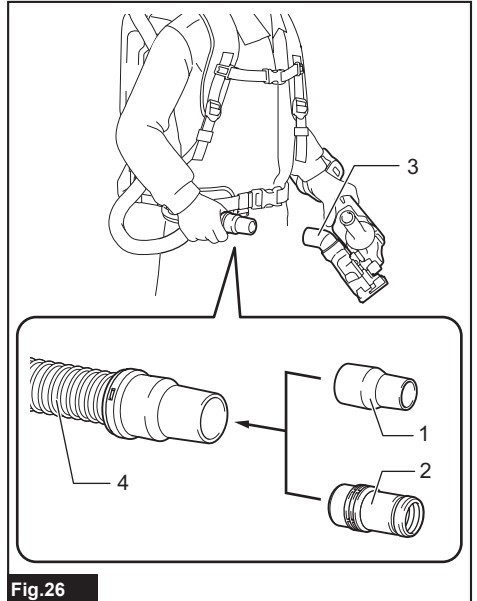


Fig.26

► 1. Raccord 2. Manchon avant 3. Prise de collecte 4. Tuyau

Pour retirer le raccord et le manchon avant, suivez les étapes de l'installation en sens inverse.

Pose du sac filtre ou du sac à poussières

Accessoire en option

⚠ ATTENTION : N'utilisez pas un sac filtre endommagé. Utilisez toujours l'aspirateur avec le sac filtre bien installé. Autrement, les poussières ou particules aspirées peuvent s'échapper de l'aspirateur et causer une maladie respiratoire chez l'utilisateur.

Avant d'utiliser l'aspirateur, installez le sac à poussières ou le sac filtre.

- Le sac à poussière peut être réutilisé plusieurs fois; il suffit pour cela de le vider.
- Le sac filtre est de type jetable. Lorsque le sac filtre est plein, jetez-le tel quel sans le vider.

AVIS : Lorsque le sac filtre est déjà plein, remplacez-le par un neuf. Si le sac à poussières est déjà plein, videz-le. La puissance d'aspiration sera réduite si vous poursuivez l'utilisation avec le sac filtre ou le sac à poussières plein.

AVIS : Pour éviter que la poussière ne pénètre dans le moteur :

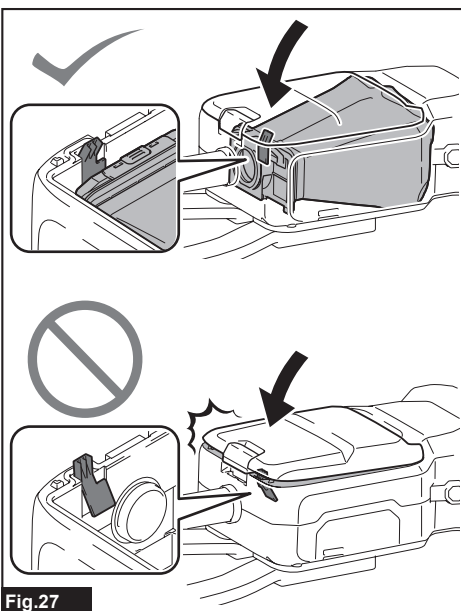
- Avant l'utilisation, assurez-vous que le sac filtre / sac à poussières est installé.
- N'utilisez pas un sac endommagé ou déchiré.

Autrement le moteur risque d'être endommagé.

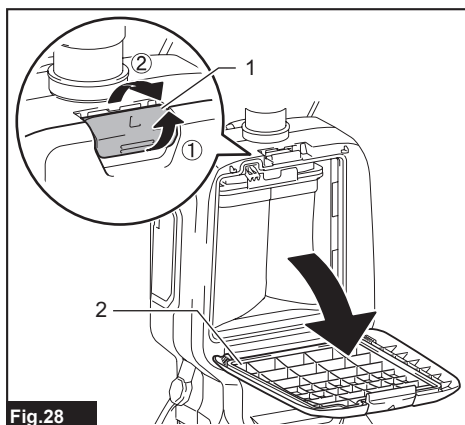
AVIS : Lorsque vous installez le sac filtre / sac à poussières, ne pliez pas l'ouverture du carton.

AVIS : Le sac filtre / sac à poussières de l'aspirateur est un composant important pour le maintien du rendement de l'appareil. L'utilisation d'un sac filtre / sac à poussières non authentique peut causer de la fumée ou un embrasement.

NOTE : Lorsque le sac filtre / sac à poussières n'est pas installé dans l'aspirateur, le couvercle avant ne ferme pas complètement.

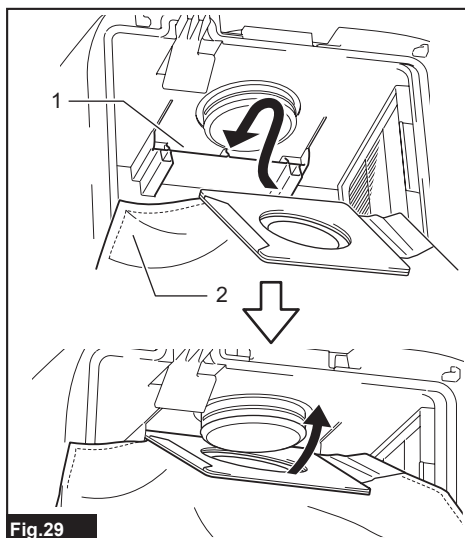


1. Libérez le verrou en soulevant la face inférieure. Enfoncez la partie rainurée pour soulever la face de verrouillage avant. Tirez sur le verrou pour ouvrir le couvercle.



- 1. Crochet 2. Couvercle

2. Insérez le sac filtre dans l'interstice de la face supérieure du compartiment, tel qu'illustré.



- 1. Interstice 2. Sac filtre

Lorsque vous utilisez le sac à poussières, insérez sa bordure dans l'interstice.

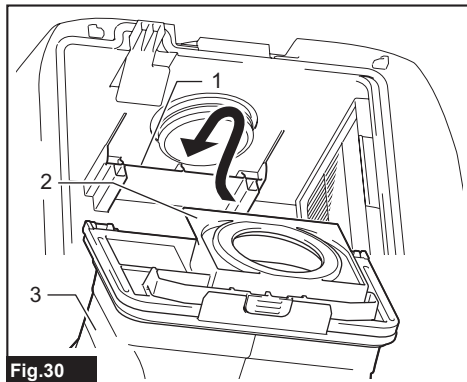


Fig.30

► 1. Interstice 2. Bord 3. Sac à poussières

3. Alignez le trou du sac filtre sur le manchon de tuyau, et enfoncez complètement la partie en carton. Assurez-vous que la bague en caoutchouc du sac filtre passe par-dessus le bord du manchon de tuyau.

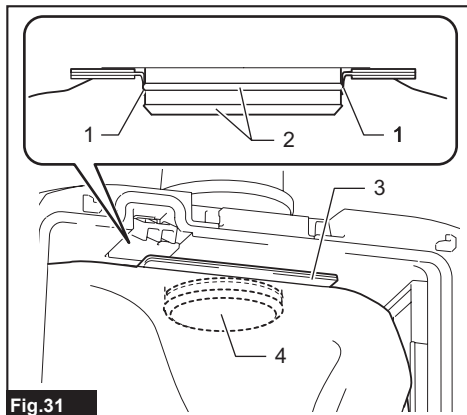


Fig.31

► 1. Bague en caoutchouc du sac filtre 2. Bord du manchon de tuyau 3. Partie en carton du sac filtre 4. Manchon de tuyau

UTILISATION

⚠ MISE EN GARDE : Les utilisateurs doivent être bien informés sur l'utilisation de l'aspirateur.

⚠ MISE EN GARDE : Cet aspirateur n'est pas conçu pour l'aspiration des poussières dangereuses.

⚠ ATTENTION : Cet aspirateur est conçu uniquement pour l'utilisation à sec.

⚠ ATTENTION : Cet aspirateur est conçu uniquement pour l'utilisation intérieure.

⚠ ATTENTION : Insérez toujours la batterie à fond, jusqu'à ce qu'elle se verrouille en place. Si vous pouvez voir le voyant rouge situé sur le dessus du bouton, la batterie n'est pas complètement verrouillée. Insérez-la à fond, jusqu'à ce que le voyant rouge ne soit pas visible. Autrement elle risque de tomber accidentellement de l'appareil et d'entraîner des blessures.

⚠ ATTENTION : Pendant l'utilisation, restez conscient de la présence de l'aspirateur sur votre dos. Vous risquez de perdre l'équilibre si le corps de l'aspirateur heurte un mur ou si le tuyau s'accroche à des obstacles.

1. Enfilez le corps de l'aspirateur sur vos épaules et serrez les ceintures supérieure et inférieure. Serrez ou desserrez au besoin.

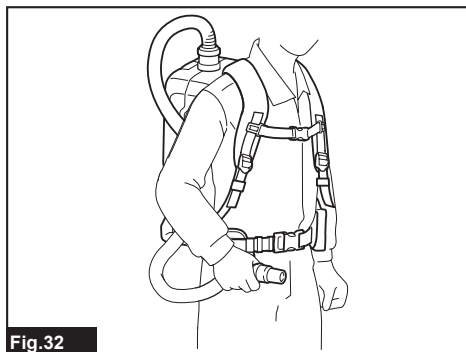
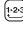




Fig.32

2. Appuyez sur le bouton  pour commencer l'aspiration. Pour modifier la puissance d'aspiration, appuyez sur le bouton  jusqu'à ce que la puissance d'aspiration désirée soit sélectionnée. Appuyez sur le bouton  pour arrêter.

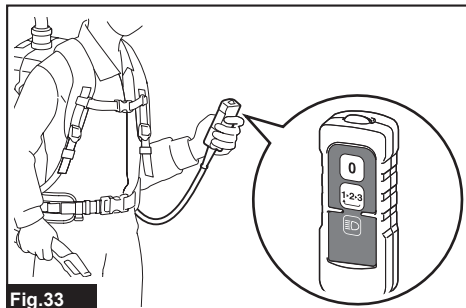


Fig.33

Pendant l'utilisation, accrochez le boîtier de commutateurs à l'anneau ou à la ceinture inférieure. Le crochet peut être incliné pour éclairer devant lorsque le boîtier de commutateurs est accroché à la ceinture inférieure.

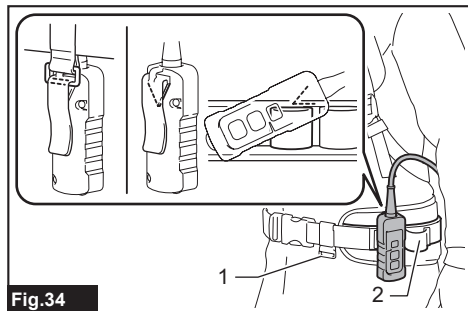


Fig.34

► 1. Anneau 2. Ceinture inférieure

3. Remplacez le sac filtre quand il est plein. Ouvrez le couvercle et retirez le sac filtre. Tirez sur la bande à côté de l'ouverture pour fermer le sac filtre, et jetez tout le sac filtre.

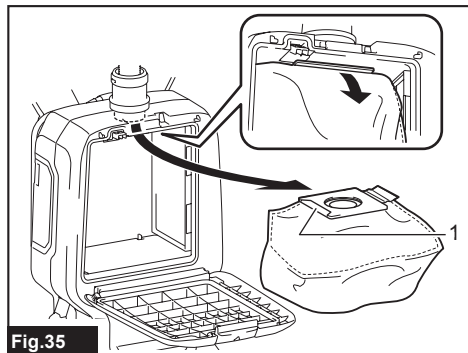


Fig.35

► 1. Bande

Si vous utilisez un sac à poussières, retirez-le et jetez les poussières en libérant le verrou.

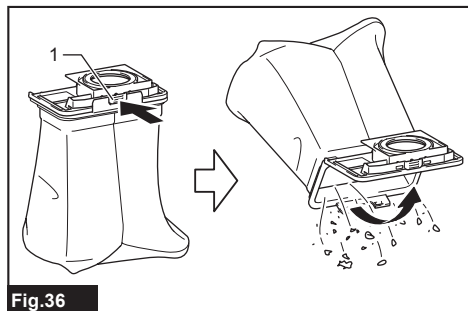


Fig.36

► 1. Verrou

AVIS : Ne mettez pas le sac filtre / sac à poussières ou autres objets lourds sur le couvercle. L'appareil risquerait de tomber.

AVIS : Vérifiez régulièrement le sac filtre pour voir s'il est plein. La puissance d'aspiration diminuera si vous continuez l'utilisation avec le sac filtre plein.

AVIS : N'utilisez pas un sac filtre utilisé. Le sac filtre est conçu pour une seule utilisation. L'utilisation répétée du sac filtre peut entraîner l'obstruction du filtre et endommager l'aspirateur. Pour une utilisation répétée, utilisez un sac à poussières.

ENTRETIEN

ATTENTION : Assurez-vous toujours que l'appareil est éteint et que la batterie est retirée avant d'effectuer tout travail d'inspection ou d'entretien de l'appareil.

AVIS : N'utilisez jamais d'essence, de benzine, de solvant, d'alcool ou autres produits similaires. Une décoloration, une déformation ou la formation de fissures peuvent en découler.

Pour maintenir la SÉCURITÉ et la FIABILITÉ du produit, les réparations et tout autre travail d'entretien ou de réglage doivent être effectués dans un centre de service après-vente autorisé ou une usine Makita, exclusivement avec des pièces de rechange Makita.

Nettoyage du filtre HEPA

ATTENTION : N'utilisez pas l'aspirateur sans un filtre, et ne poursuivez pas l'utilisation avec un filtre sale ou endommagé. Les poussières ou particules aspirées peuvent s'échapper de l'aspirateur et causer une maladie respiratoire chez l'utilisateur.

AVIS : Pour maintenir la puissance d'aspiration optimale et la propreté des échappements, nettoyez le filtre régulièrement. Si vous n'obtenez pas une puissance d'aspiration suffisante même après le nettoyage, remplacez le filtre par un neuf.

AVIS : Pour éviter d'endommager le filtre, évitez d'effectuer le nettoyage avec les outils suivants et accessoires similaires :

- Dispositif de dépoussiérage
- Nettoyeur haute pression
- Outils faits de matériaux rigides, comme une brosse métallique

1. Ouvrez le couvercle et retirez le sac filtre / sac à poussières. Libérez le crochet du filtre et retirez le filtre du corps de l'aspirateur.

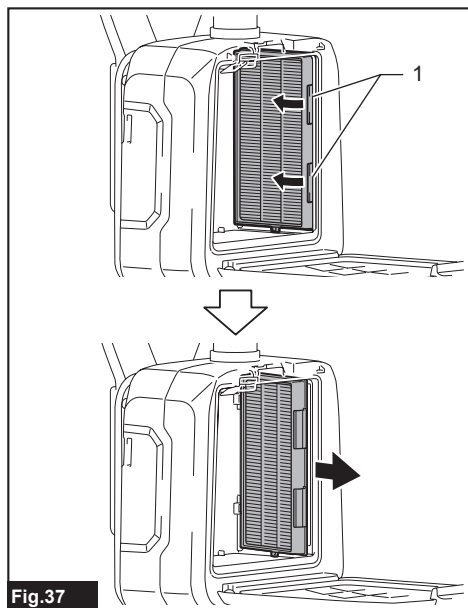


Fig.37

► 1. Crochet

2. Tapez sur le filtre pour en retirer les poussières. Le filtre est lavable à l'eau. Rincez le filtre tous les mois ou tous les deux mois pour en retirer les poussières et particules. Ensuite, laissez sécher le filtre complètement dans un emplacement à l'ombre et bien aéré pour prévenir les odeurs désagréables ou les dysfonctionnements.

3. Pour installer le filtre, insérez le côté sans crochets dans la rainure, puis poussez le filtre jusqu'à ce que les crochets se fixent en émettant un léger bruit sec.

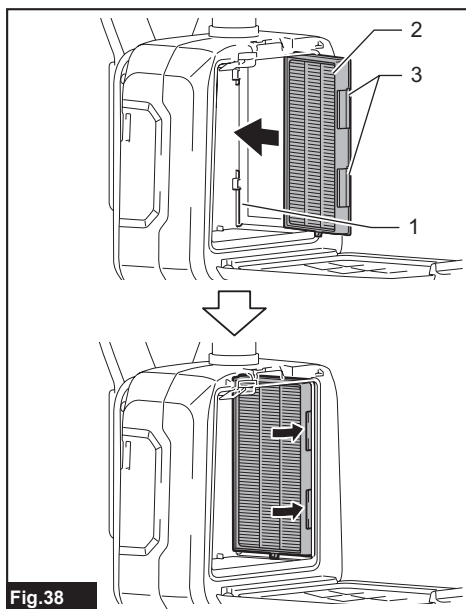


Fig.38

► 1. Rainure 2. Filtre HEPA 3. Crochet

Nettoyage du sac à poussières

Nettoyez régulièrement le sac à poussières avec du savon et de l'eau. Retournez le sac à poussières sur lui-même, et retirez les poussières qui y sont collées. Lavez légèrement à la main et rincez abondamment avec de l'eau. Laissez sécher complètement avant d'installer sur l'aspirateur.

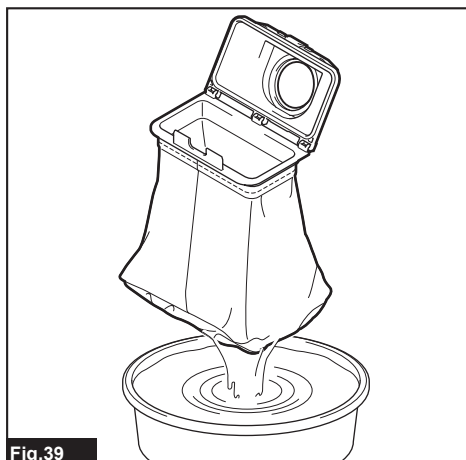


Fig.39

AVIS : Un sac à poussières mouillé affecte la capacité d'aspiration et réduit la durée de service du moteur.

Débouchage

Lors du débouchage, retirez le tuyau ou la rallonge, ou l'ensemble de tuyau coudé pour vérifier à l'intérieur.

Retrait ou pose de l'ensemble de tuyau coudé à fermer

Pour le retirer, tirez sur l'ensemble de tuyau coudé en appuyant sur les deux languettes à l'extrémité du tuyau. Pour le fixer, insérez l'extrémité du tuyau dans l'ensemble de tuyau coudé. Assurez-vous que les languettes de l'extrémité du tuyau s'enclenchent dans les trous de l'ensemble de tuyau coudé.

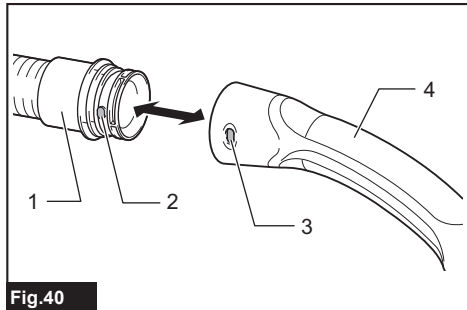


Fig.40

- 1. Extrémité du tuyau 2. Languette 3. Trou 4. Ensemble de tuyau coudé

Retrait ou pose de l'ensemble de tuyau coudé fileté

Pour le retirer, desserrez le manchon d'ensemble de tuyau coudé sur le tuyau.

Pour le fixer, serrez le manchon d'ensemble de tuyau coudé sur le tuyau.

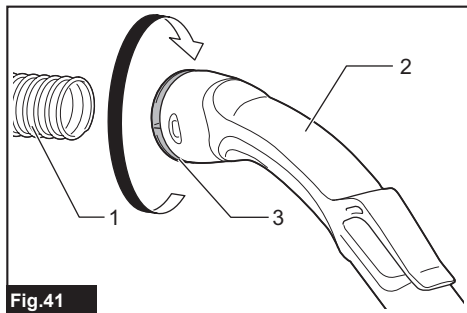


Fig.41

- 1. Tuyau 2. Ensemble de tuyau coudé 3. Manchon

Nettoyage du logement du sac filtre / sac à poussières

Lors du nettoyage du logement du sac filtre / sac à poussières, retirez et essuyez le plateau à l'intérieur.

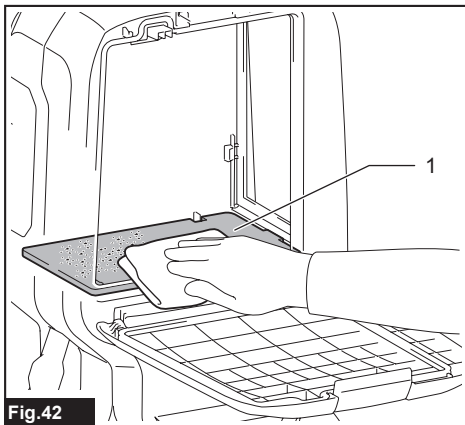


Fig.42

- 1. Plateau

Retrait du plateau

1. Retirez le filtre HEPA. Pour la façon de le retirer, consultez la section sur le nettoyage du filtre HEPA.
2. Poussez le plateau vers le bas, et faites-le glisser vers la gauche jusqu'à ce qu'il touche le mur.
3. Soulevez le plateau par le côté droit et sortez-le.

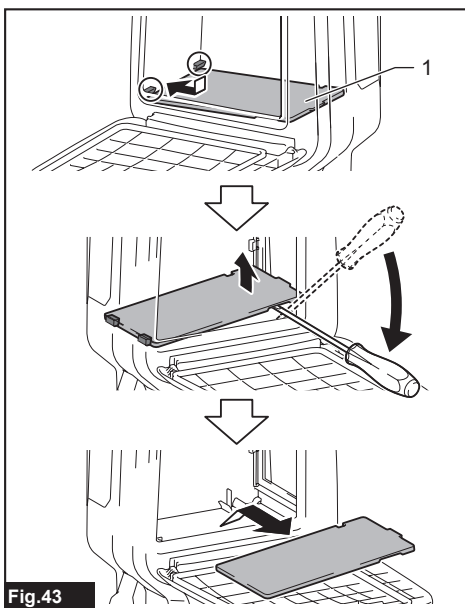


Fig.43

- 1. Plateau

Le plateau est soutenu par trois ressorts.
Si les ressorts se sont détachés du plateau ou du levier,
refixez-les tel qu'illustré.

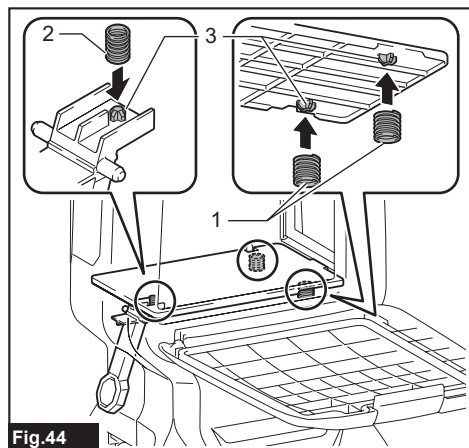


Fig.44

- 1. Ressort pour plateau 2. Ressort pour levier
3. Partie saillante

NOTE : Fixez fermement les ressorts de sorte qu'ils touchent la base des parties saillantes.

Fixation du plateau

1. Insérez le côté rectiligne du plateau dans les loquets du côté inférieur gauche du logement.
2. Mettez en place le côté droit du plateau.

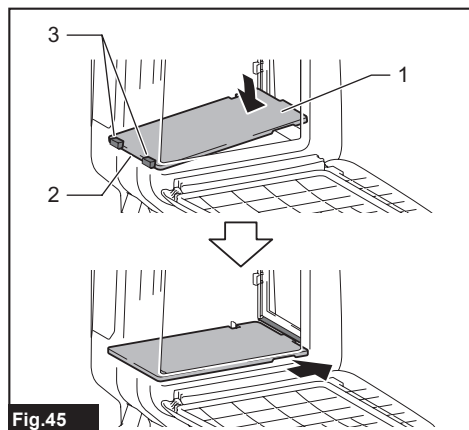


Fig.45

- 1. Plateau 2. Côté rectiligne 3. Loquet

ACCESSOIRES EN OPTION

⚠ ATTENTION : Ces accessoires ou pièces complémentaires sont recommandés pour l'utilisation avec le produit Makita spécifié dans ce manuel. L'utilisation de tout autre accessoire ou pièce complémentaire peut comporter un risque de blessure. N'utilisez les accessoires ou pièces complémentaires qu'aux fins auxquelles ils ont été conçus.

Si vous désirez obtenir plus de détails sur ces accessoires, veuillez contacter le centre de service après-vente Makita le plus près.

- Tuyau (pour le type aspirateur)
- Tuyau (pour le type collecteur de poussières)
- Rallonge
- Buse amovible
- Buse en T
- Buse de siège
- Buse à angle
- Brosse à épousseter
- Brosse ronde
- Ensemble de tuyau coudé
- Sac filtre
- Sac à poussières
- Manchon avant
- Filtre HEPA
- Tuyau
- Collecteur cyclone
- Chargeur et batterie authentiques Makita

NOTE : Certains éléments de la liste peuvent être inclus avec l'outil comme accessoires standards. Ils peuvent varier suivant les pays.

Collecteur cyclone

NOTE : Lorsque vous utilisez un collecteur cyclone avec cet appareil, il faut employer le tuyau coudé.

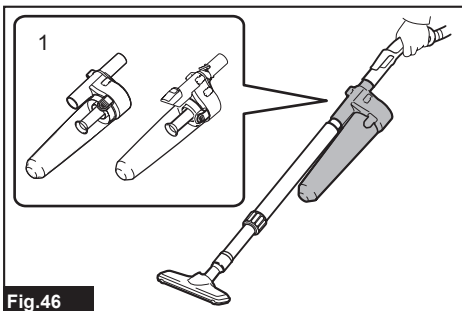


Fig.46

- 1. Collecteur cyclone

À propos du collecteur cyclone

L'utilisation de l'aspirateur avec le collecteur cyclone installé réduit la quantité de poussière qui pénètre dans le sac à poussière, ce qui aide à empêcher l'affaiblissement de la force de succion. Cela simplifie également le nettoyage après l'utilisation.

⚠ ATTENTION : Assurez-vous toujours que l'outil est éteint et que sa batterie est retirée avant d'effectuer toute intervention sur l'outil. Si la batterie est laissée insérée, l'aspirateur peut démarrer de manière inattendue et provoquer des blessures.

⚠ ATTENTION : Nettoyez le filtre à tamis du collecteur cyclone et le sac à poussière de l'aspirateur lorsqu'ils se bouchent. L'utilisation continue à l'état bouché peut entraîner une surchauffe ou de la fumée.

AVIS : Lorsque le collecteur cyclone est fixé, ne l'utilisez pas à l'horizontale ou pointé vers le haut. Cela risquerait de boucher le filtre à tamis.

AVIS : Utilisez toujours l'aspirateur avec le sac à poussière installé, même lors de l'utilisation du collecteur cyclone. Utiliser l'aspirateur sans y installer le sac à poussière peut entraîner un dysfonctionnement du moteur.

NOTE : Avant l'utilisation, assurez-vous que le collecteur cyclone, l'aspirateur et le tuyau rectiligne sont bien verrouillés.

NOTE : Lorsque la poussière s'accumule, videz le compartiment à poussière du collecteur cyclone et le sac à poussière de l'aspirateur. Continuer l'utilisation entraînerait une diminution de la force de succion.

NOTE : Vous pouvez utiliser le collecteur cyclone avec ou sans fonction de verrouillage.

NOTE : Pour installer ou retirer le collecteur cyclone, reportez-vous à la section « Utilisation en tant qu'aspirateur ».

Élimination de la poussière

Lorsque la poussière s'accumule jusqu'à la ligne Plein du compartiment à poussière, suivez la procédure ci-dessous et jetez la poussière.

1. En tenant fermement le compartiment à poussière, maintenez enfoncés les deux boutons et retirez le compartiment à poussière.

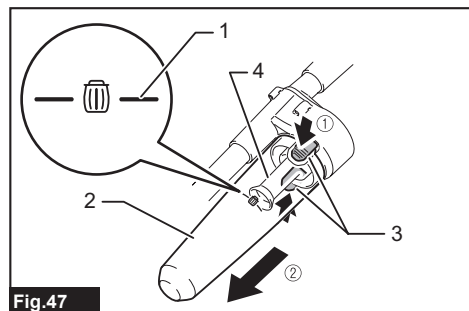


Fig.47

► 1. Ligne Plein 2. Compartiment à poussière
3. Bouton (deux emplacements) 4. Filtre à tamis

2. Jetez la poussière du compartiment à poussière et enlevez toute trace de poussière ou de poudre adhérent à la surface du filtre à tamis.

3. Insérez le compartiment à poussière à fond, jusqu'à ce que les deux boutons se verrouillent avec un léger bruit sec.

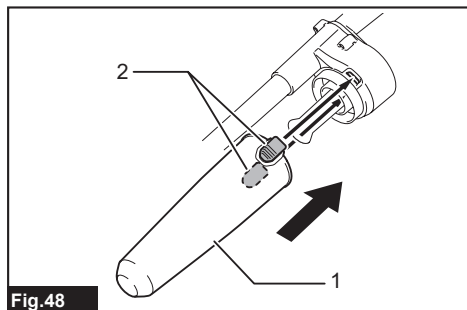


Fig.48

► 1. Compartiment à poussière 2. Bouton (deux emplacements)

NOTE : Avant de reprendre l'utilisation, assurez-vous que le collecteur cyclone, l'aspirateur et le tuyau rectiligne sont bien verrouillés.

NOTE : Si la force d'aspiration n'est pas rétablie même après que vous avez jeté la poussière et nettoyé le filtre à tamis, vérifiez s'il y a accumulation de poussière dans le sac à poussière de l'aspirateur ou si l'aspirateur est bouché.

Nettoyage

Lorsque le compartiment à poussière est sale ou que le filtre à tamis est bouché, retirez-les et lavez-les avec de l'eau. (Pour la procédure de retrait, reportez-vous à « Élimination de la poussière ».)

Laissez sécher les pièces complètement avant de les réinstaller et de reprendre l'utilisation.

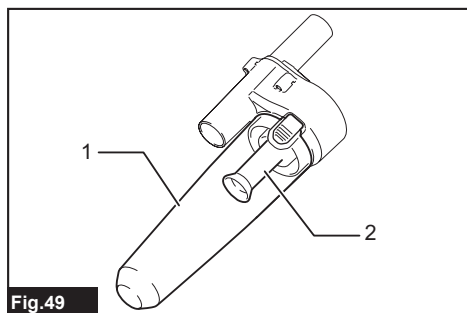


Fig.49

► 1. Compartiment à poussière 2. Filtre à tamis

Lorsque le filtre à tamis est très sale, procédez comme suit pour le nettoyer.

1. Tournez le filtre à tamis dans le sens contraire des aiguilles d'une montre, et retirez-le pendant que les crochets sont déverrouillés.

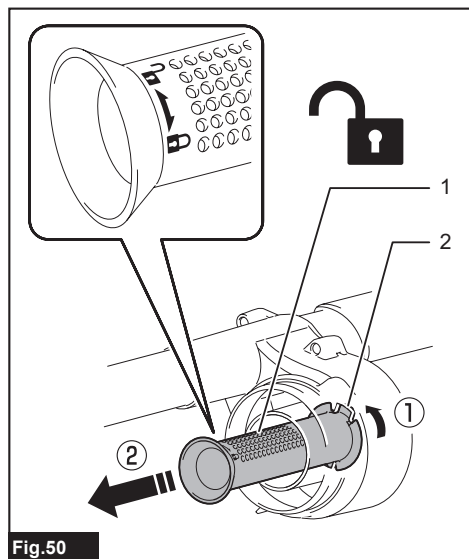


Fig.50

- 1. Filtre à tamis 2. Crochet

2. Enlevez la poussière du filtre à tamis, puis lavez-le avec de l'eau. Ensuite, laissez-le sécher complètement.

3. Insérez le filtre à tamis dans la base pendant que les crochets sont alignés sur le port. Tournez le filtre à tamis dans le sens des aiguilles d'une montre jusqu'à ce que les crochets se verrouillent avec un bruit de déclic. Assurez-vous que le filtre à tamis est fermement installé.

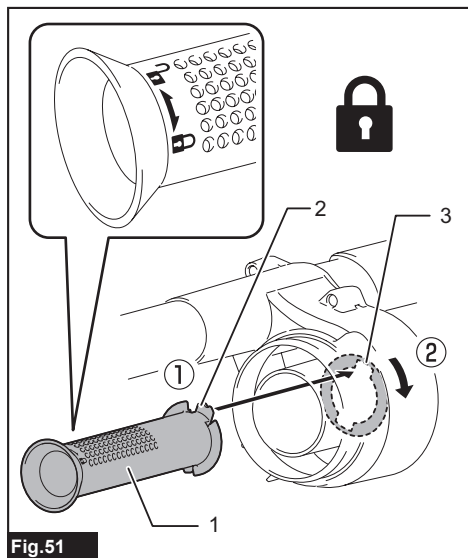


Fig.51

- 1. Filtre à tamis 2. Crochet 3. Port

GARANTIE LIMITÉE MAKITA

Pour les conditions de garantie en vigueur qui s'appliquent à ce produit, veuillez vous reporter à la feuille de garantie en annexe. Si la feuille de garantie en annexe n'est pas disponible, reportez-vous aux détails de la garantie présentés sur le site Web de votre pays, ci-dessous.

États-Unis d'Amérique: www.makitatools.com

Canada: www.makita.ca

Autres pays: www.makita.com

ESPECIFICACIONES

Modelo:		DVC660
Capacidad	Bolsa del filtro	6,0 L (1,6 gal.)
	Bolsa recolectora de polvo	5,5 L (1,5 gal.)
Volumen de aire máximo	Con manguera con $\varnothing 28$ mm (1-1/8") x 1,0 m (39-3/8")	2,0 m ³ /min (70,6 cu.ft/min)
	Con manguera con $\varnothing 32$ mm (1-1/4") x 1,0 m (39-3/8")	2,2 m ³ /min (77,7 cu.ft/min)
Aspiradora		110 hPa
Dimensiones (La x An x Al) (sin incluir el arnés)		297 mm x 174 mm x 523 mm (11-3/4" x 6-7/8" x 20-5/8")
Tensión nominal		36 V c.c.
Peso neto		6,1 kg - 6,7 kg (13,4 lbs - 14,8 lbs)

- Debido a nuestro continuo programa de investigación y desarrollo, las especificaciones aquí incluidas están sujetas a cambio sin previo aviso.
- Las especificaciones pueden variar de país a país.
- El peso incluye el o los cartuchos de batería, pero no los accesorios. La combinación de menor y mayor peso del aparato y del o los cartuchos de batería se muestra en la tabla.
- La longitud de la manguera suministrada varía en función del país.

Cartucho de batería y cargador aplicables

Cartucho de batería	BL1815N / BL1820B / BL1830 / BL1830B / BL1840B / BL1850B / BL1860B
Cargador	DC18RC / DC18RD / DC18RE / DC18SD / DC18SE / DC18SF / DC18SH

- Algunos de los cartuchos de batería y cargadores enumerados arriba podrían no estar disponibles dependiendo de su área de residencia.

⚠ADVERTENCIA: Use únicamente los cartuchos de batería y los cargadores indicados arriba. El uso de cualquier otro cartucho de batería y cargador podría ocasionar una lesión y/o un incendio.

⚠ADVERTENCIA: No use ningún alimentador con cableado eléctrico, como un adaptador para batería o una unidad portátil de alimentación eléctrica, con esta herramienta. El uso de más de un arnés a la vez dificulta el funcionamiento y la liberación de la herramienta, y podría causar una lesión.

ADVERTENCIAS DE SEGURIDAD

INSTRUCCIONES IMPORTANTES DE SEGURIDAD

Al usar cualquier aparato eléctrico, siempre deben seguirse las precauciones básicas, incluyendo las siguientes:

GUARDE ESTAS INSTRUCCIONES.

ADVERTENCIA

Para reducir el riesgo de incendio, descarga eléctrica o lesión:

1. No deje el aparato con la batería puesta. Retire la batería del aparato cuando no lo vaya a utilizar y antes de dar servicio de mantenimiento.
2. No lo utilice sobre superficies húmedas. No lo exponga a la lluvia. Almacénelo en interiores.
3. No permita que sea utilizado como un juguete. Supervise de cerca cuando lo utilice cerca de niños.
4. Utilícelo solamente como se describe en este manual. Sólo use aditamentos recomendados por el fabricante.

5. **No lo utilice con una batería dañada.** Si el aparato no está funcionando como debiera, se ha dejado caer, se ha dañado, se ha dejado a la intemperie o ha caído sobre agua, llévelo a un centro de servicio.
6. **No manipule el aparato con las manos mojadas.**
7. **No introduzca ningún objeto en las aberturas.** No lo utilice con ninguna abertura bloqueada; manténgalo libre de polvo, pelusa, cabello y cualquier objeto que pueda reducir el flujo de aire.
8. **Mantenga el cabello, la ropa holgada, los dedos y todas las partes del cuerpo lejos de las aberturas y piezas móviles.**
9. **Apague todos los controles antes de retirar el cartucho de batería.**
10. **Tenga especial cuidado cuando limpie en escaleras.**
11. **No lo utilice para recoger líquidos inflamables o combustibles, tal como gasolina, ni en áreas donde puedan estar presentes.**
12. **No recoja nada que se esté quemando o desprenda humo, tal como cigarrillos, fósforos o cenizas calientes.**
13. **No lo utilice sin la bolsa recolectora de polvo colocada en su lugar.**
14. **No cargue la batería en exteriores.**
15. **Evite una puesta en marcha accidental.** Asegúrese de que el interruptor esté en la posición apagada antes de conectar el paquete de baterías, levantar el aparato o cargarlo. Cargar el aparato con su dedo en el interruptor o pasar energía al aparato con el interruptor encendido puede propiciar accidentes.
16. **Desconecte el paquete de baterías del aparato antes de hacer cualquier ajuste, cambiar accesorios o almacenar el aparato.** Estas medidas de seguridad preventivas reducen el riesgo de poner en marcha el aparato accidentalmente.
17. **Recargue sólo con el cargador especificado por el fabricante.** Un cargador que es adecuado para un solo tipo de paquete de baterías puede generar riesgo de incendio al ser utilizado con otro paquete de baterías.
18. **Use los aparatos únicamente con los paquetes de baterías designados específicamente para ellos.** El uso de otros paquetes de baterías puede generar riesgo de lesiones e incendio.
19. **Cuando no se esté usando el paquete de baterías, guárdelo lejos de otros objetos metálicos tales como sujetapapeles (clips), monedas, llaves, clavos, tornillos u otros objetos metálicos pequeños que puedan crear una conexión entre una terminal y otra.** Ocasionar un cortocircuito en las terminales de la batería puede provocar quemaduras o incendios.
20. **En condiciones de mal uso, podría escapar líquido de la batería; evite tocarlo. Si lo toca accidentalmente, enjuague con agua. Si el líquido entra en contacto con los ojos, solicite adicionalmente atención médica.** El líquido expulsado de la batería puede causar irritación o quemaduras.
21. **No utilice un paquete de baterías o aparato que esté dañado o haya sido modificado.** Las baterías dañadas o modificadas podrían comportarse de manera impredecible causando un incendio, explosión o riesgo de lesión.
22. **No exponga un paquete de baterías o aparato al fuego o a una temperatura excesiva.** La exposición al fuego a una temperatura superior a 130 °C podría causar una explosión.
23. **Siga todas las instrucciones relativas a la carga y no cargue el paquete de baterías o el aparato fuera del rango de temperatura especificado en las instrucciones.** Cargar de manera inapropiada o a temperaturas fuera del rango especificado podría dañar la batería e incrementar el riesgo de incendio.
24. **Pida que el servicio lo realice un técnico en reparaciones calificado y que utilice únicamente piezas de repuesto idénticas a las originales.** Esto garantizará que se mantenga la seguridad del producto.

25. No modifique ni intente reparar el aparato ni el paquete de baterías salvo como se indique en las instrucciones para el uso y cuidado.
26. No use ningún alimentador con cableado eléctrico como un adaptador para batería o una unidad portátil de alimentación eléctrica con esta máquina. El cable de dicho alimentador podría impedir la operación y ocasionar una lesión personal.

GUARDE ESTAS INSTRUCCIONES.

Este aparato está diseñado para uso comercial.

REGLAS DE SEGURIDAD ADICIONALES

1. Lea cuidadosamente este manual de instrucciones y el manual de instrucciones del cargador antes de usar el aparato.
2. No aspire los siguientes elementos:
 - Líquidos inflamables (queroseno, gasolina, disolventes como bencina, diluyentes, etc.)
 - Sustancias calientes que están ardiendo o echando humo (cigarillos, cerillas, palitos de incienso, velas, cenizas calientes), chispas y polvo metálico generados por el corte o el lijado de metales, etc.
 - Materiales inflamables (tónor, pinturas, aerosoles, etc.)
 - Espumas, como limpiadores de alfombras, etc. (pueden causar explosiones o incendios)
 - Sustancias explosivas o pirofóricas (nitroglicerina, aluminio, magnesio, titanio, zinc, fósforo rojo, fósforo amarillo, celuloide, etc., y su polvo, gases o vapores)
 - Objetos afilados (cristal, cubiertos, astillas de madera, metales, piedras, clavos, cuchillas, tachuelas, etc.)
- Polvo fino conductor y solidificante (polvo metálico o de carbono)
- Deshumidificador
- Grandes cantidades de polvo (harina, polvo de extintor de incendios, etc.)
- Sustancias que causan síntomas tóxicos
- Productos químicos agresivos (ácidos, lixiviados, etc.)
- Basura líquida o húmeda, incluyendo vómitos y heces
- Asbesto
- Pesticidas

Tal acción podría ocasionar un incendio, lesiones y/o daños materiales.

Para reducir la exposición a estas sustancias químicas, utilice un equipo de protección respiratoria aprobado, tal como las máscaras contra polvo que están especialmente diseñadas para filtrar partículas microscópicas. No apunte la salida de aire a la cara y al cuerpo. **NOTA:** Lea el reglamento OSHA en lo referente a polvo de sílice a fin de entender los requisitos necesarios para reducir la exposición al polvo de sílice en el puesto de trabajo. Contiene normas específicas sobre el taladrado, la demolición, el corte y el lijado de materiales que contienen sílice. Todos los requisitos de la OSHA relacionados con la reducción de polvo de sílice se pueden encontrar en el sitio web de la OSHA: www.osha.gov.

 3. Detenga la operación de inmediato si nota algo anormal.
 4. Si deja caer o golpea la aspiradora, verifique cuidadosamente si hay grietas o daños antes de la operación.
 5. No la acerque a estufas ni a otras fuentes de calor.
 6. No obstruya el orificio de flujo de entrada ni los orificios de ventilación.

7. **Este aparato no se destina para utilizarse por personas (incluyendo niños) cuyas capacidades físicas, sensoriales o mentales sean diferentes o estén reducidas o carezcan de experiencia o de conocimiento, a menos que dichas personas reciban una supervisión o capacitación para el funcionamiento del aparato por una persona responsable de su seguridad.**
8. **Los niños deben supervisarse para asegurar que ellos no empleen los aparatos como juguete.**

Uso y cuidado de la herramienta a batería

1. **Evite un arranque accidental. Asegúrese de que el interruptor esté en la posición apagada antes de conectar el paquete de baterías, levantar el aparato o cargarlo.** Cargar el aparato con su dedo en el interruptor o pasar energía al aparato con el interruptor encendido puede propiciar accidentes.
2. **Desconecte el paquete de baterías del aparato antes de hacer cualquier ajuste, cambiar accesorios o almacenar el aparato.** Estas medidas de seguridad preventivas reducen el riesgo de poner en marcha el aparato accidentalmente.
3. **Recargue sólo con el cargador especificado por el fabricante.** Un cargador que es adecuado para un solo tipo de batería puede generar riesgo de incendio al ser utilizado con otra batería.
4. **Use los aparatos únicamente con los paquetes de baterías designados específicamente para ellos.** El uso de otros paquetes de baterías puede generar riesgo de lesiones e incendio.
5. **Cuando no se esté usando la batería, manténgala alejada de otros objetos metálicos, como sujetapapeles (clips), monedas, llaves, clavos, tornillos u otros objetos pequeños de metal los cuales pueden actuar creando una conexión entre las terminales de la batería.** Originar un cortocircuito en las terminales puede causar quemaduras o incendios.
6. **En condiciones abusivas, podrá escapar líquido de la batería; evite tocarlo. Si lo toca accidentalmente, enjuague con agua. Si hay contacto del líquido con los ojos, busque asistencia médica.** Puede que el líquido expulsado de la batería cause irritación o quemaduras.
7. **No utilice un paquete de baterías o aparato que esté dañado o haya sido modificado. Las baterías dañadas o modificadas podrían comportarse de manera impredecible causando un incendio, explosión o riesgo de lesión.**
8. **No exponga un paquete de baterías o aparato al fuego o a una temperatura excesiva. La exposición al fuego o una temperatura superior a 130 °C podría causar una explosión.**
9. **Siga todas las instrucciones relativas a la carga y no cargue el paquete de baterías o el aparato fuera del rango de temperatura especificado en las instrucciones.** Cargar de manera inapropiada o a temperaturas fuera del rango especificado podría dañar la batería e incrementar el riesgo de incendio.
10. **Pida que el servicio lo realice un técnico en reparaciones calificado y que utilice únicamente piezas de repuesto idénticas a las originales.** Esto garantizará que se mantenga la seguridad del producto.
11. **No modifique ni intente reparar el aparato ni el paquete de baterías salvo como se indique en las instrucciones para el uso y cuidado.**

Símbolos

A continuación se muestran los símbolos utilizados para la herramienta.

V	volts o voltios
— — —	corriente directa o continua

Instrucciones importantes de seguridad para el cartucho de batería

1. **Antes de utilizar el cartucho de batería, lea todas las instrucciones e indicaciones de precaución en el (1) el cargador de batería, (2) la batería, y (3) el producto con el que se utiliza la batería.**
2. **No desarme ni modifique el cartucho de batería.** Podría ocurrir un incendio, calor excesivo o una explosión.
3. **Si el tiempo de operación se ha acortado en exceso, deje de operar de inmediato.** Podría correrse el riesgo de sobrecalentamiento, posibles quemaduras e incluso explosión.
4. **En caso de que ingresen electrolitos en sus ojos, enjuáguelos bien con agua limpia y consulte de inmediato a un médico.** Esto podría ocasionar pérdida de visión.
5. **Evite cortocircuitar el cartucho de batería:**
 - (1) **No toque las terminales con ningún material conductor.**
 - (2) **Evite guardar el cartucho de batería en un cajón junto con otros objetos metálicos, tales como clavos, monedas, etc.**
 - (3) **No exponga el cartucho de batería al agua o la lluvia.**

Un cortocircuito en la batería puede causar un flujo grande de corriente, sobrecalentamiento, posibles quemaduras e incluso una descompostura.
6. **No guarde ni utilice la herramienta y el cartucho de batería en lugares donde la temperatura pueda alcanzar o exceder los 50 °C (122 °F).**
7. **Nunca incinere el cartucho de batería incluso en el caso de que esté dañado seriamente o ya no sirva en absoluto.** El cartucho de batería puede explotar si se tira al fuego.
8. **No clave, corte, aplaste, lance o deje caer el cartucho de batería, ni golpee un objeto sólido contra el cartucho de batería.** Dicha acción podría resultar en un incendio, calor excesivo o en una explosión.
9. **No use una batería dañada.**
10. **Las baterías de ión de litio están sujetas a los requisitos reglamentarios en materia de bienes peligrosos.** Para el transporte comercial, por ej., mediante terceros o agentes de transporte, se deben tomar en cuenta los requisitos especiales relativos al empaque y el etiquetado. Para efectuar los preparativos del artículo que se va a enviar, se requiere consultar a un experto en materiales peligrosos. Si es posible, consulte además otras regulaciones nacionales más detalladas. **Pegue o cubra con cinta adhesiva los contactos abiertos y empaque la batería de manera que ésta no pueda moverse dentro del paquete.**
11. **Para deshacerse del cartucho de batería, sáquelo de la herramienta y deséchelo en un lugar seguro.** Siga las regulaciones locales relacionadas al desecho de las baterías.
12. **Utilice las baterías únicamente con los productos especificados por Makita.** Instalar las baterías en productos que no cumplen con los requisitos podría ocasionar un incendio, un calentamiento excesivo, una explosión o una fuga de electrolito.
13. **Siga las regulaciones locales relacionadas al desecho de las baterías.**
14. **El cartucho de batería podría absorber calor durante y después de su uso, lo que ocasionaría quemaduras o quemaduras a baja temperatura.** Tenga cuidado con la manipulación de los cartuchos de batería que estén calientes.

15. **No toque el terminal de la herramienta inmediatamente después de su uso, ya que el mismo podría estar lo suficientemente caliente como para provocarle quemaduras.**
16. **No permita que las rebabas, el polvo o la tierra queden atrapados en los terminales, orificios y ranuras del cartucho de batería.** Esto podría ocasionar un desempeño deficiente o descompostura de la herramienta o del cartucho de batería.
17. **No utilice el cartucho de batería cerca de cables eléctricos de alto voltaje, a menos que la herramienta sea compatible con el uso cercano a estos cables eléctricos de alto voltaje.** Esto podría ocasionar una avería o descompostura de la herramienta o del cartucho de batería.
18. **Mantenga la batería alejada de los niños.**

GUARDE ESTAS INSTRUCCIONES.

⚠PRECAUCIÓN: Utilice únicamente baterías originales de Makita. El uso de baterías no originales de Makita, o de baterías alteradas, puede ocasionar que las baterías exploten causando un incendio, lesiones personales y daños. Asimismo, esto invalidará la garantía de Makita para la herramienta y el cargador Makita.

Consejos para alargar al máximo la vida útil de la batería

1. **Cargue el cartucho de batería antes de que se descargue completamente. Pare siempre la operación y cargue el cartucho de batería cuando note menos potencia en la herramienta.**
2. **No cargue nunca un cartucho de batería que esté completamente cargado. La sobrecarga acortará la vida de servicio de la batería.**
3. **Cargue el cartucho de batería a una temperatura ambiente de 10 °C - 40 °C (50 °F - 104 °F). Si un cartucho de batería está caliente, déjelo enfriar antes de cargarlo.**
4. **Cuando no utilice el cartucho de batería, sáquelo de la herramienta o del cargador.**
5. **Cargue el cartucho de batería si no va a utilizarlo durante un período prolongado (más de seis meses).**

DESCRIPCIÓN DEL FUNCIONAMIENTO

⚠PRECAUCIÓN: Asegúrese siempre de que el aparato esté apagado y que el cartucho de la batería haya sido extraído antes de realizar cualquier ajuste o revisión del funcionamiento del aparato.

Instalación o extracción del cartucho de batería

⚠PRECAUCIÓN: Apague siempre el aparato antes de instalar o extraer el cartucho de la batería.

⚠PRECAUCIÓN: Sujete el aparato y el cartucho de la batería con firmeza al colocar o quitar el cartucho de la batería. Si no se sujeta con firmeza el aparato y el cartucho de la batería, puede ocasionar que se resbalen de sus manos resultando en daños al aparato y al cartucho de la batería, así como lesiones a la persona.

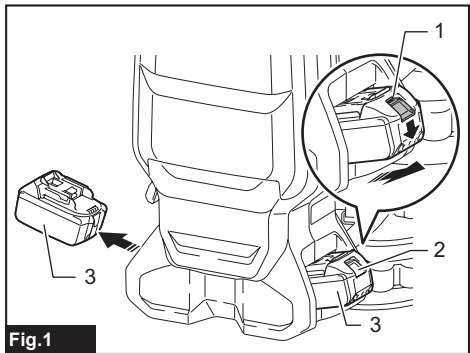


Fig.1

► 1. Indicador rojo 2. Botón 3. Cartucho de batería

Para quitar el cartucho de batería, deslícelo del aparato mientras desliza el botón sobre la parte delantera del cartucho.

Para colocar el cartucho de batería, alinee la lengüeta sobre el cartucho de batería con la ranura en la carcasa y deslice en su lugar. Inserte por completo hasta que se fije en su lugar con un pequeño clic. Si puede ver el indicador rojo del lado superior del botón, esto indica que no ha quedado fijo por completo.

⚠PRECAUCIÓN: Siempre introduzca completamente el cartucho de batería hasta que el indicador rojo no pueda verse. De no hacerlo, éste podría salirse accidentalmente del aparato, ocasionándole lesiones a usted o a alguien cerca de usted.

⚠PRECAUCIÓN: No instale el cartucho de batería a la fuerza. Si el cartucho no se desliza al interior fácilmente, se debe a que no está siendo insertado correctamente.

Sistema de protección del aparato/batería


El aparato está equipado con un sistema de protección del aparato/batería. Este sistema corta automáticamente la alimentación al motor para prolongar la vida del aparato y la batería. El aparato se detendrá automáticamente durante la operación si el aparato o la batería se someten a una de las siguientes condiciones.

Protección contra sobrecarga

Cuando el aparato se está utilizando de manera que causa que consuma una cantidad de corriente inusualmente alta, el aparato se detiene automáticamente sin que haya indicación alguna. En esta situación, apague el aparato y detenga la aplicación que haya causado que el aparato se sobrecargara. Luego encienda el aparato para volver a arrancarlo.

Protección contra sobrecalentamiento

Cuando el aparato se sobrecaliente, éste se detendrá automáticamente y la luz LED parpadea alrededor de 60 segundos. En este caso, deje que el aparato se enfríe antes de volver a encenderlo.

Mientras la luz LED esté parpadeando, usted puede apagar la luz LED si oprime el botón .

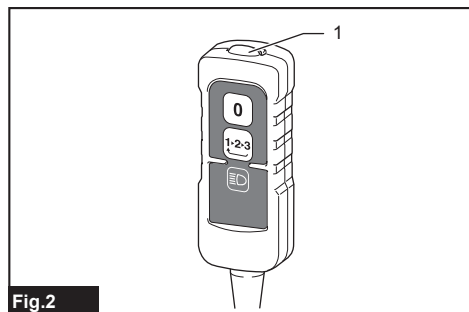


Fig.2

► 1. Luz LED

Protección contra sobredescarga

Cuando la capacidad de la batería es baja, el aparato se detiene automáticamente. Si el producto no funciona incluso cuando los interruptores están siendo operados, retire las baterías del aparato y cárguelas.

Indicación de la capacidad restante de la batería

Únicamente para cartuchos de batería con el indicador

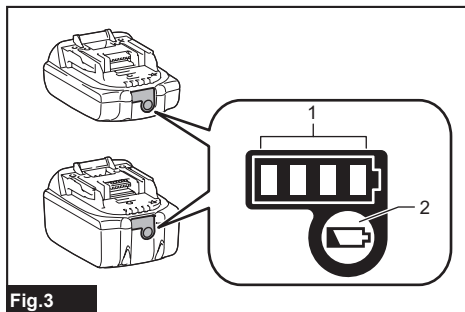



















Fig.3

► 1. Luces indicadoras 2. Botón de verificación

Oprima el botón de verificación en el cartucho de la batería para que indique la capacidad restante de la batería. Las luces indicadoras se iluminarán por algunos segundos.

Luces indicadoras			Capacidad restante
 Iluminadas	 Apagadas	 Parpadeando	
			75% a 100%
			50% a 75%
			25% a 50%
			0% a 25%
			Cargar la batería.
			La batería pudo haber funcionado mal.
			

NOTA: Dependiendo de las condiciones de uso y la temperatura ambiente, la indicación podrá diferir ligeramente de la capacidad real.

NOTA: La primera luz indicadora (extrema izquierda) parpadeará cuando el sistema de protección de batería esté en funcionamiento.

Posición de la caja del interruptor

La caja del interruptor puede engancharse en cualquiera de los lados de la correa inferior. Coloque el cable de manera que la caja del interruptor quede del lado que desee. Para evitar daños al cable, haga que éste pase a través de la muesca tal como se muestra en la ilustración.

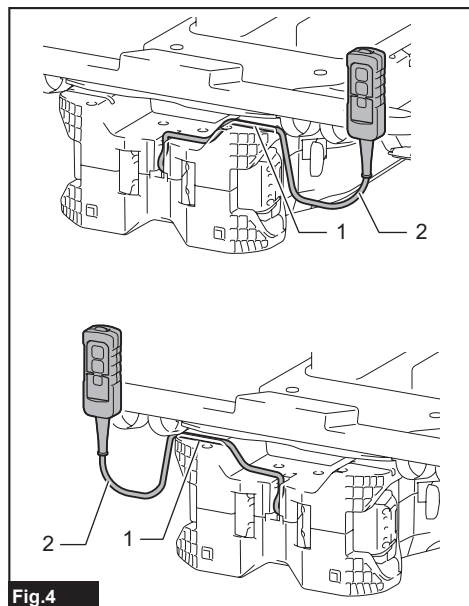


Fig.4

► 1. Ranura 2. Cable

Ajuste de las correas

Lo apretado de las correas para hombro y las correas superior e inferior puede ser ajustado. Introduzca sus brazos a través de las correas para hombro primero y luego fije las correas inferior y superior. Para apretar, jale el extremo de la correa tal como se ilustra. Para aflojar, jale el extremo del sujetador.

Correa inferior

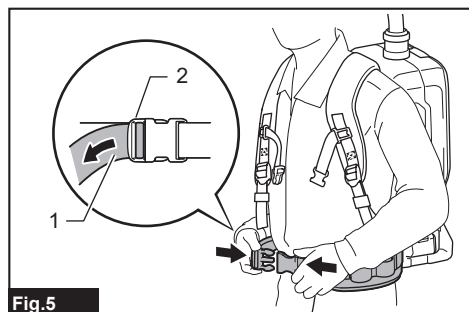


Fig.5

► 1. Correa 2. Sujetador

Correas para hombro

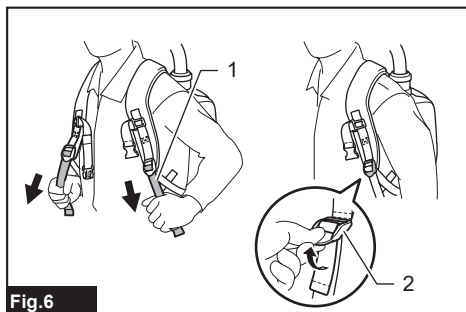


Fig.6

► 1. Correa 2. Sujetador

Correa superior

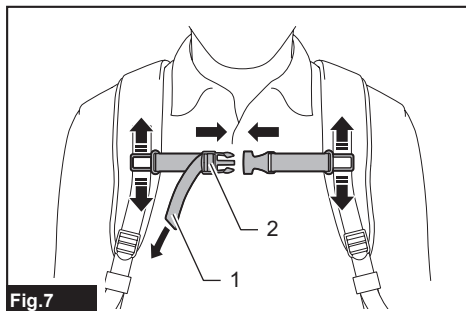


Fig.7

► 1. Correa 2. Sujetador

Gancho de sujeción

⚠PRECAUCIÓN: Utilice las partes para colgado/montaje para sus propósitos pretendidos solamente. El uso para un propósito no pretendido podría ocasionar un accidente o una lesión personal.

Siempre agarre el gancho de sujeción cuando manipule el cuerpo de la aspiradora.

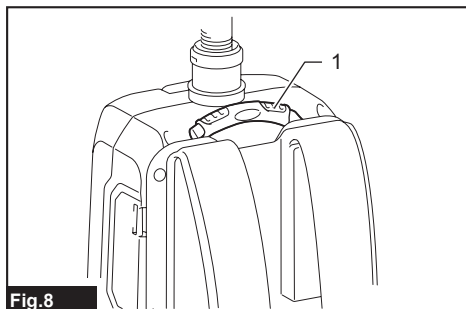



Fig.8


► 1. Gancho de sujeción

Accionamiento del interruptor

La potencia de succión puede cambiarse a tres niveles: normal (1), alto (2) y máximo (3).

Para comenzar a aspirar, oprima el botón  una vez.

Para cambiar la potencia de succión, pulse el botón mientras la aspiradora está en funcionamiento. La potencia de succión se conmuta según el siguiente orden: normal (1), alto (2) y máximo (3).

Para apagar la aspiradora, oprima el botón .

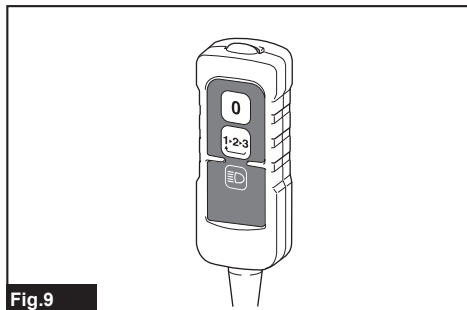




Fig.9

NOTA: Cuando se vuelva a encender la aspiradora, arrancará en el mismo nivel de potencia de succión que tenía al apagarse.

Luz LED

La luz LED se encuentra instalada en la cabeza de la caja del interruptor para facilitar las operaciones en lugares oscuros. Oprima el botón  para encender la luz. Para apagarla, oprima el botón  nuevamente.

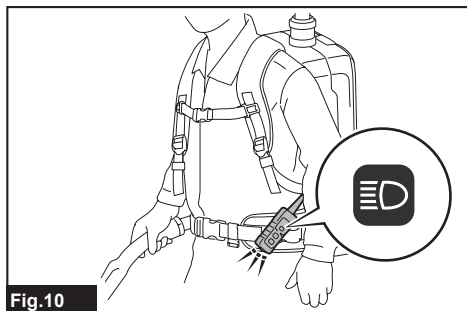


Fig.10

PRECAUCIÓN: No mire a la luz o a la fuente de luz directamente. Nunca apunte la luz a los ojos de otras personas.

NOTA: La luz LED se apaga automáticamente cuando la aspiradora no se utiliza durante más de 10 minutos.

NOTA: La aspiradora se apagará automáticamente y la luz LED parpadeará si la aspiradora se sobrecalienta debido a una reducción del flujo de aire hacia la máquina por alguna obstrucción en la manguera, el tubo o el filtro, o alguna otra razón. En este caso, elimine la causa del problema y enfríe la aspiradora antes de comenzar de nuevo.

Abrazadera de la manguera

La abrazadera de la manguera puede utilizarse para sujetar la manguera o la boquilla amplia.

Para fijar la manguera al cuerpo de la aspiradora, pase la abrazadera de la manguera a través de la ranura en el cuerpo. Usted puede fijar la abrazadera de la manguera en cualquiera de los lados.

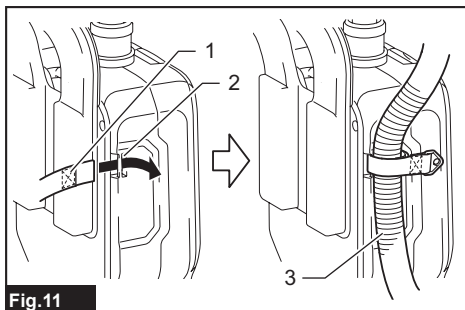


Fig.11

- ▶ 1. Abrazadera de la manguera 2. Ranura
- 3. Manguera

El bucle en la correa inferior se puede utilizar para transportar boquillas, tal como se ilustra.

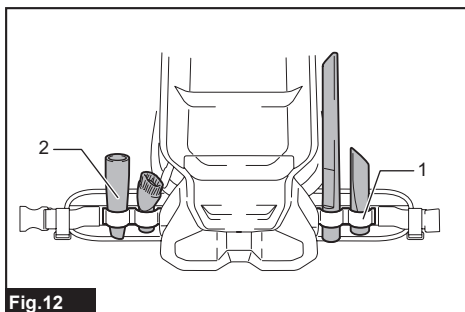


Fig.12

- ▶ 1. Bucle 2. Boquillas

Gancho de la manguera

Cuando suspenda la operación, el gancho en el conjunto de tubo curvo puede utilizarse para colgar el tubo en la correa inferior.

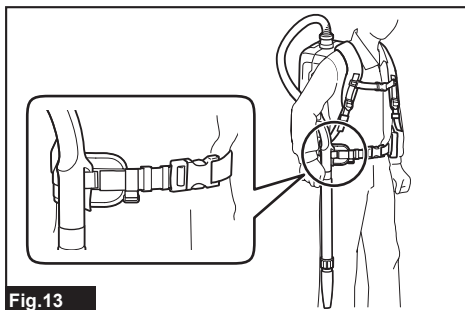


Fig.13

Sistema para sacudir polvo

El polvo baja cuando tira de la palanca o camina mientras lleva puesta la aspiradora. Este sistema ayuda a la aspiradora a mantener la potencia de succión.

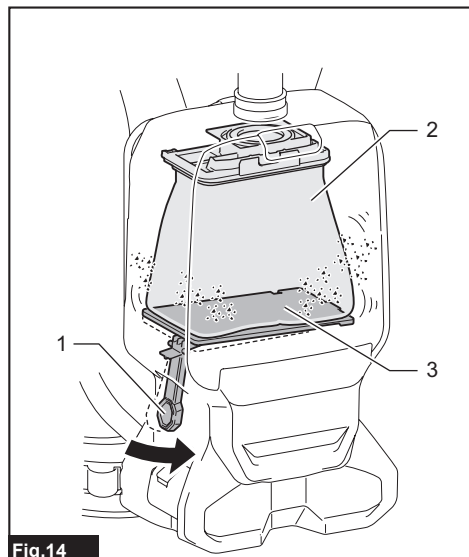


Fig.14

► 1. Palanca 2. Bolsa del filtro/bolsa recolectora de polvo 3. Tablero

NOTA: Esta función trabaja cuando la aspiradora está apagada y la bolsa del filtro/bolsa recolectora de polvo contiene una cierta cantidad de polvo que toca el tablero.

MONTAJE

⚠ PRECAUCIÓN: Asegúrese siempre de que el aparato esté apagado y el cartucho de batería haya sido extraído antes de realizar cualquier trabajo en el aparato.

Ensamble de la manguera

Inserte la boca de la manguera en el cuerpo de la aspiradora y gírela en el sentido de las manecillas del reloj.

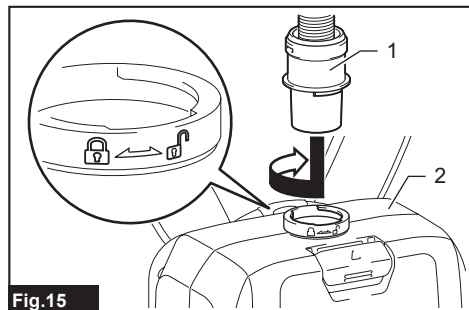


Fig.15

► 1. Boca de la manguera 2. Cuerpo de la aspiradora

Uso como aspiradora

Acoplamiento del conjunto de tubo curvo

Accesorio opcional

NOTA: No se necesita realizar este procedimiento si el modelo ya viene con el conjunto de tubo curvo acoplado a la manguera.

NOTA: Hay dos tipos de conjunto de tubo curvo; uno para el tubo de extensión de tipo corredera y el otro para el tubo de extensión de tipo anillo. Al preparar el conjunto de tubo curvo, elija el que corresponda al tipo de tubo de extensión deseado.

El conjunto de tubo curvo se usa para conectar el tubo de extensión o la boquilla de aspiración a este producto. Si desea usar este producto como aspiradora, acople el conjunto de tubo curvo a la manguera.

Para acoplarlo, desenrosque la boca delantera de la manguera y fije el manguito del conjunto de tubo curvo a la manguera. Para extraerlo, afloje el manguito del conjunto de tubo curvo respecto de la manguera.

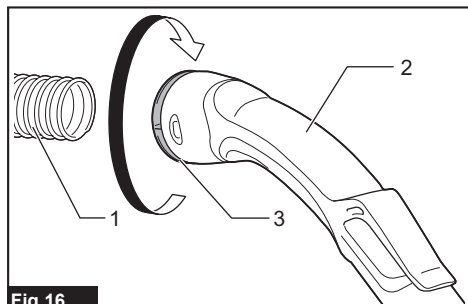


Fig.16

► 1. Manguera 2. Conjunto de tubo curvo 3. Manguito

Ensamble de la boquilla y el tubo

Accesorio opcional

NOTA: El tipo de boquilla y de tubo incluidos en el producto varía según el país. En algunos países, la boquilla y el tubo no vienen incluidos.

1. Inserte la boquilla girándola en el tubo de extensión.

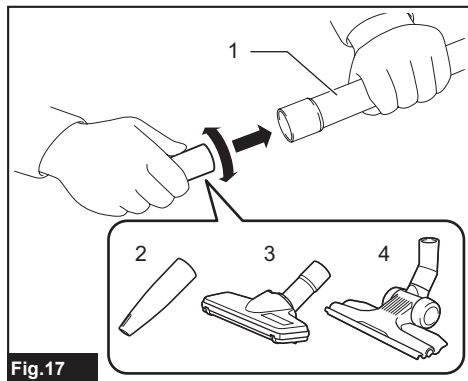


Fig.17

► 1. Tubo de extensión 2. Boquilla amplia 3. Boquilla T 4. Boquilla T (delgada)

NOTA: Girándola mientras se inserta, la boquilla puede fijarse firmemente al tubo de extensión.

NOTA: Para el modelo con manguera de $\varnothing 38$ mm y boca delantera 38, acople la boquilla suministrada al tubo curvo/recto de aluminio.

2. Siga los procedimientos a continuación dependiendo del tipo de tubo de extensión:

NOTA: El tubo de extensión de tipo corredera y el tubo de extensión de tipo anillo no son compatibles entre sí. Si desea cambiar el tubo de extensión de tipo corredera por el tubo de extensión de tipo anillo o viceversa, cambie todo el conjunto de tubo curvo.

NOTA: La boquilla amplia puede fijarse directamente al conjunto de tubo curvo.

Para el tubo de extensión de tipo corredera

Cárguese al hombro el cuerpo de la aspiradora y a continuación inserte el tubo de extensión en el conjunto de tubo curvo hasta escuchar un clic. Para desconectar, extraiga el tubo de extensión oprimiendo el botón.

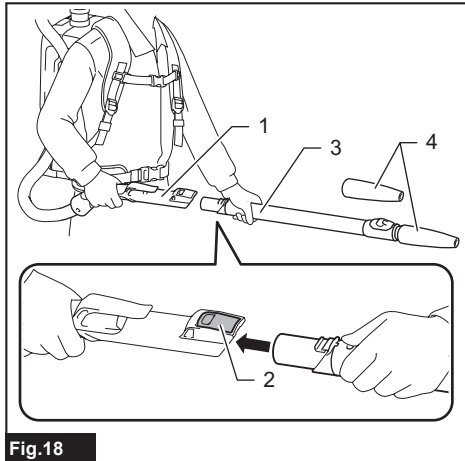


Fig.18

► 1. Conjunto de tubo curvo 2. Botón 3. Tubo de extensión de tipo corredera 4. Boquilla amplia

La longitud del tubo puede ser ajustada.

Ajuste la longitud del tubo mientras presiona el botón deslizable. La longitud se bloquea cuando se suelta el botón deslizable.

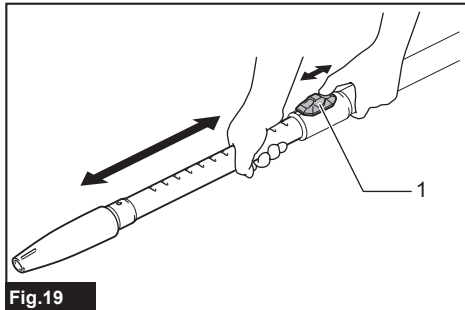


Fig.19

► 1. Botón deslizable

Para el tubo de extensión de tipo anillo

Cárguese al hombro el cuerpo de la aspiradora y a continuación inserte girando el tubo de extensión en el conjunto de tubo curvo. Para desconectar, extráigalo girándolo.

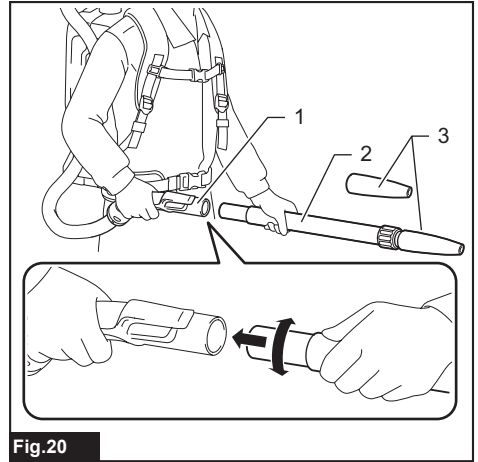


Fig.20

► 1. Conjunto de tubo curvo 2. Tubo de extensión de tipo anillo 3. Boquilla amplia

La longitud del tubo puede ser ajustada.

Afloje el anillo en el tubo y ajuste la longitud del tubo. Apriete el anillo en la longitud deseada.

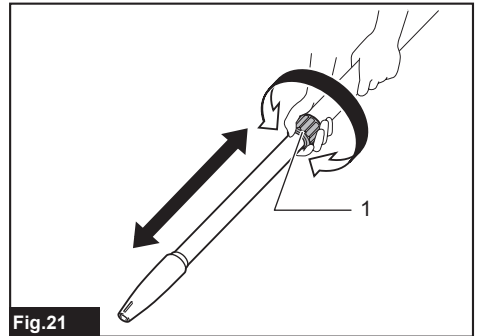


Fig.21

► 1. Anillo

Para el tubo curvo/recto de aluminio

(Solo para el modelo con manguera de $\varnothing 38$ mm y boca delantera 38)

Cárguese al hombro el cuerpo de la aspiradora y a continuación inserte girando el tubo en la boca delantera.

Para desconectar, extráigalo girándolo.

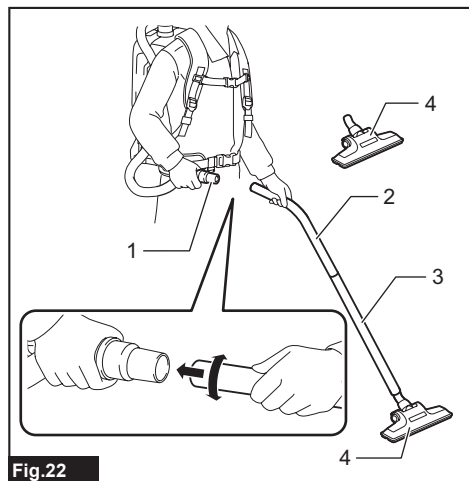


Fig.22

- 1. Boca delantera 38 2. Tubo curvo de aluminio
- 3. Tubo recto de aluminio 4. Boquilla

Para los dos tubos rectos de aluminio

Cárguese al hombro el cuerpo de la aspiradora y a continuación inserte girando los tubos. Para desconectar, extráigalo girándolo.

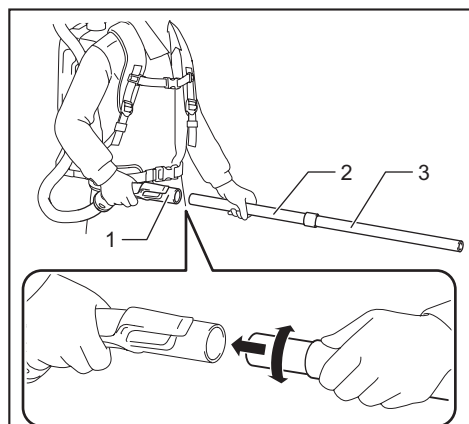


Fig.23

- 1. Conjunto de tubo curvo 2. Tubo recto de aluminio
- 1 3. Tubo recto de aluminio 2

Conexión de la herramienta

NOTA: Si el conjunto de tubo curvo está acoplado a la manguera, extráigalo primero.

Para conectar una herramienta a la aspiradora, hacen falta la manguera especificada y/o accesorios adicionales. Dependiendo del modelo de aspiradora, necesitará reemplazar la manguera y/o preparar los accesorios adicionales.

Consulte la tabla a continuación para más detalles.

Diámetro de la manguera suministrada	Tipo de extremo de manguera	Solución
$\varnothing 28$ mm	 sin pieza	Acople la boca delantera.
	 con pieza a presión	Reemplace el extremo de la manguera (pieza a presión) por la boca delantera. El extremo de la manguera se puede extraer girándolo en sentido inverso al de las manecillas del reloj.
$\varnothing 32$ mm	 con pieza a presión	Reemplace la manguera por la de extracción de polvo ($\varnothing 28$ mm, con boca delantera).
$\varnothing 38$ mm	 con pieza a presión	Reemplace la manguera por la de extracción de polvo ($\varnothing 28$ mm, con boca delantera).
	 con boca delantera 38	Acople la junta 22-38 a la boca delantera 24.

NOTA: Utilice siempre una boca delantera adecuada. Cuando utilice la boca delantera 24, acóplela a la boca delantera 22 que se encuentra conectada a la manguera.

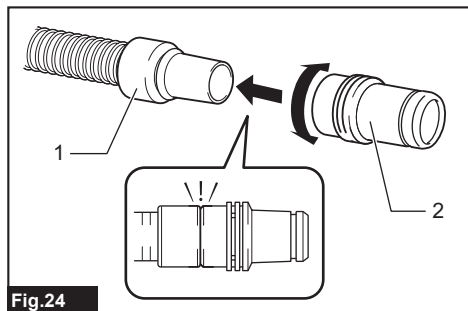


Fig.24

► 1. Boca delantera 22 2. Boca delantera 24

Al utilizar la manguera de extracción de polvo de $\varnothing 28$ mm

1. Acople la boca delantera a la manguera de extracción de polvo. Cuando conecte la boca delantera, asegúrese de que quede bien atornillada en la manguera.
2. Conecte la boca delantera a la salida de extracción de la herramienta.

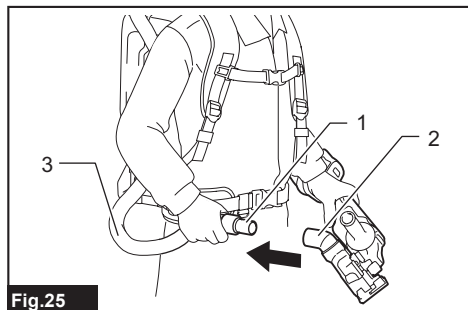


Fig.25

► 1. Boca delantera 2. Salida de extracción
3. Manguera

La boca delantera puede desconectarse girándola en sentido inverso al de las manecillas del reloj mientras sostiene la manguera.

Al utilizar manguera de $\varnothing 38$ mm con boca delantera 38

1. Inserte girando la junta o la boca delantera a la pieza de entrada de la manguera, dependiendo de la herramienta que se vaya a conectar.
2. Conecte la boca delantera a la salida de extracción de la herramienta.

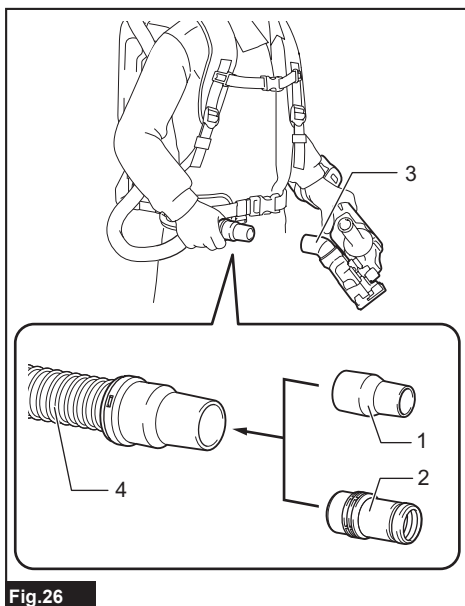


Fig.26

► 1. Junta 2. Boca delantera 3. Salida de extracción
4. Manguera

Para extraer la junta y la boca delantera, siga el procedimiento de instalación en orden inverso.

Instalación de la bolsa del filtro/ bolsa recolectora de polvo

Accesorio opcional

⚠PRECAUCIÓN: No use una bolsa del filtro dañada. Siempre utilice la aspiradora con la bolsa del filtro instalada correctamente. De lo contrario, el polvo o las partículas aspiradas podrían escapar de la aspiradora y causar una enfermedad respiratoria al operador.

Instale ya sea una bolsa recolectora de polvo o bolsa del filtro antes de utilizar la aspiradora.

- La bolsa recolectora de polvo se puede utilizar varias veces, de manera repetida, si ésta se limpia.
- La bolsa del filtro es de tipo desechable. Deseche por completo la bolsa del filtro sin vaciarlo, cuando ésta se haya llenado.

AVISO: Cuando la bolsa del filtro ya esté llena, reemplácela con una nueva. Cuando la bolsa recolectora de polvo ya esté llena, vacíela. El uso continuo de la bolsa del filtro/bolsa recolectora de polvo cuando está llena ocasionará una reducción de la potencia de succión.

AVISO: Para evitar que el polvo se introduzca en el motor:

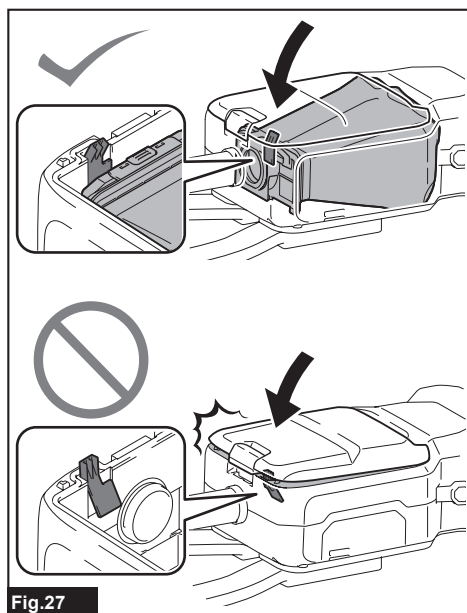
- Asegúrese de instalar la bolsa del filtro/ bolsa recolectora de polvo antes de su uso.
- No utilice una bolsa rota o rasgada.

De lo contrario, el motor podría averiarse.

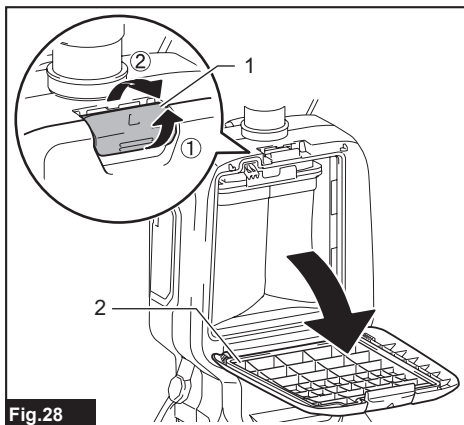
AVISO: No doble el cartón en su abertura cuando instale la bolsa del filtro/bolsa recolectora de polvo.

AVISO: La bolsa del filtro/bolsa recolectora de polvo de la aspiradora es un componente importante para mantener el buen desempeño del aparato. El utilizar una bolsa del filtro/bolsa recolectora de polvo no original puede ocasionar humo o ignición.

NOTA: Cuando la bolsa del filtro/bolsa recolectora de polvo no se instalan en la aspiradora, la cubierta delantera no se cierra por completo.

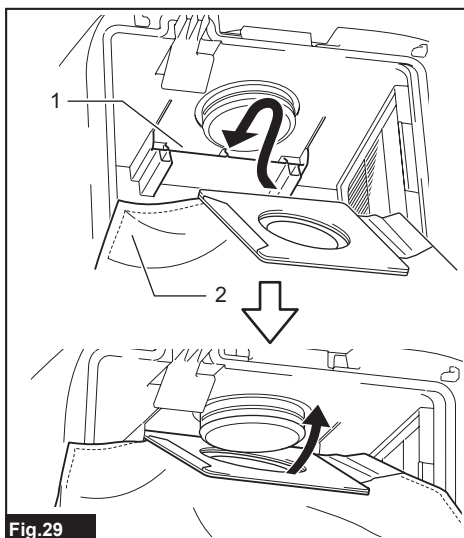


1. Desbloquee la aldabilla levantando la parte inferior. Presione el área ranurada para levantar la parte delantera de la aldabilla. Jale la aldabilla para abrir la tapa.



- 1. Gancho 2. Tapa

2. Inserte la bolsa del filtro en la hendidura en la parte superior del compartimento tal como se ilustra.



- 1. Hendidura 2. Bolsa del filtro

Cuando utilice la bolsa recolectora de polvo, inserte su reborde en la hendidura.

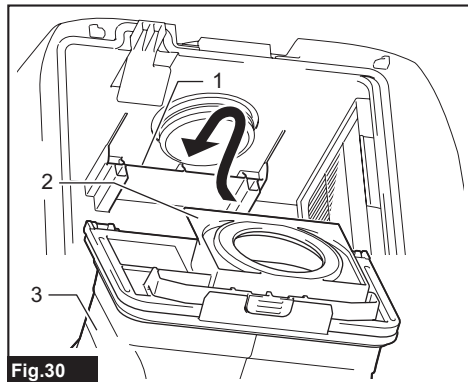


Fig.30

► 1. Hendidura 2. Reborde 3. Bolsa recolectora de polvo

3. Alinee el orificio de la bolsa del filtro con la boca de la manguera y empuje la parte de cartón hasta el tope. Asegúrese de que la arandela de goma en la bolsa del filtro esté por encima del reborde en la boca de la manguera.

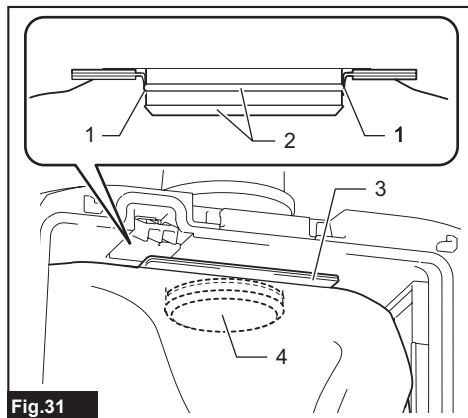


Fig.31

► 1. Arandela de goma en la bolsa del filtro
2. Reborde en la boca de la manguera 3. Parte de cartón de la bolsa del filtro 4. Boca de la manguera

OPERACIÓN

⚠ADVERTENCIA: Los operadores deberán recibir las instrucciones adecuadas sobre el uso de la aspiradora.

⚠ADVERTENCIA: Esta aspiradora no es apropiada para recoger polvo peligroso.

⚠PRECAUCIÓN: Esta aspiradora está diseñada exclusivamente para el uso en seco.

⚠PRECAUCIÓN: Esta aspiradora debe utilizarse en interiores únicamente.

⚠PRECAUCIÓN: Siempre inserte completamente el cartucho de batería hasta que quede asegurado en su lugar. Si puede ver el indicador rojo del lado superior del botón, esto indica que no ha quedado completamente asegurado. Insértelo por completo hasta que el indicador rojo no pueda verse. De no hacerlo, éste podría salirse accidentalmente del aparato, ocasionándole lesiones a usted o a alguien cerca de usted.

⚠PRECAUCIÓN: Durante la operación, tenga siempre en mente que lleva la aspiradora a la espalda. Podría perder el equilibrio si el cuerpo de la aspiradora choca contra una pared o la manguera se engancha en algún obstáculo.

1. Cargue en su hombro el cuerpo de la aspiradora y fije las correas superior e inferior. Ajuste lo apretado según sea necesario.

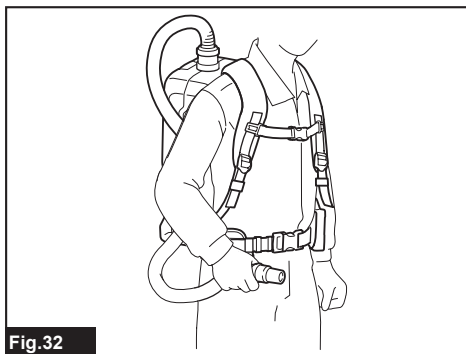


Fig.32

2. Oprima el botón para comenzar a aspirar. Si desea cambiar la potencia de succión, oprima el botón hasta seleccionar la potencia de succión deseada. Oprima el botón para parar.

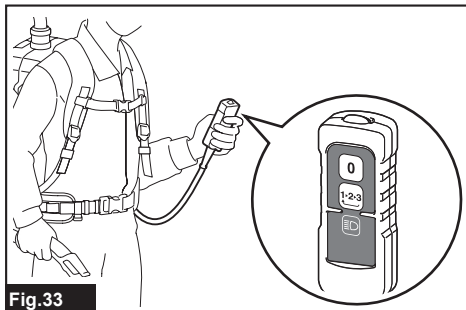


Fig.33

Durante la operación, enganche la caja del interruptor en el anillo o en la correa inferior. El gancho se puede inclinar para alumbrar hacia adelante cuando está enganchado en la correa inferior.

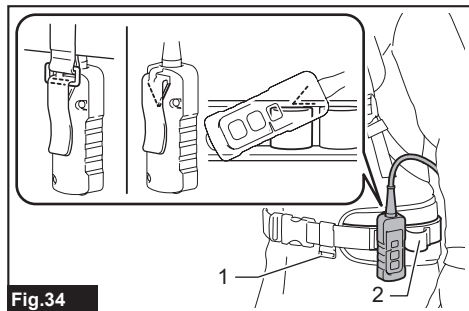


Fig.34

► 1. Anillo 2. Correa inferior

3. Reemplace la bolsa del filtro cuando esté llena. Abra la tapa y extraiga la bolsa del filtro. Jale la tira en el lado de la abertura para cerrar la bolsa del filtro y desechar la bolsa del filtro completa.

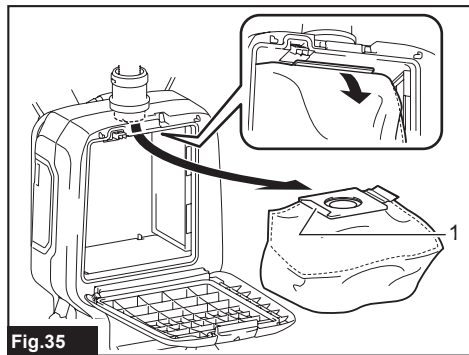


Fig.35

► 1. Tira

Cuando utilice una bolsa recolectora de polvo, retire la bolsa recolectora de polvo y deseche el polvo liberando la aldabilla.

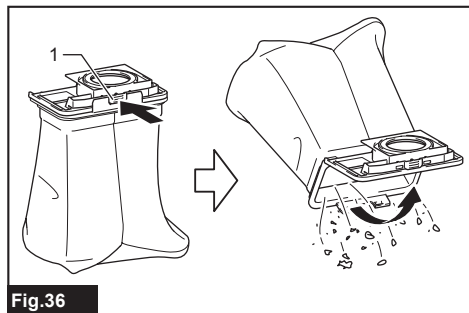


Fig.36

► 1. Aldabilla

AVISO: No ponga la bolsa del filtro/bolsa recolectora de polvo u otros objetos pesados sobre la tapa. El aparato podría caerse.

AVISO: Inspeccione periódicamente la bolsa del filtro para ver si está llena. El uso continuo de la bolsa del filtro cuando está llena ocasionará una reducción de la potencia de succión.

AVISO: No utilice una bolsa del filtro usada.

La bolsa del filtro está diseñada para usarse una sola vez. El uso repetido de la bolsa del filtro puede causar el atasco del filtro y daños a la aspiradora. Si desea utilizar la bolsa repetidamente, utilice una bolsa recolectora de polvo.

MANTENIMIENTO

PRECAUCIÓN: Asegúrese siempre de que el aparato haya sido apagado y que el cartucho de batería haya sido extraído antes de intentar realizar una inspección o tarea de mantenimiento.

AVISO: Nunca use gasolina, bencina, diluyente (tiner), alcohol o sustancias similares. Puede que esto ocasione grietas o descoloramiento.

Para mantener la SEGURIDAD y FIABILIDAD del producto, las reparaciones, y cualquier otra tarea de mantenimiento o ajuste deberán ser realizadas en centros de servicio autorizados o de fábrica Makita, empleando siempre repuestos Makita.

Limpieza del filtro HEPA

PRECAUCIÓN: No utilice la aspiradora sin un filtro ni continúe usando el filtro sucio o dañado. El polvo o las partículas aspiradas podrían escapar de la aspiradora y causar una enfermedad respiratoria al operador.

AVISO: Para mantener una potencia de succión óptima y un escape limpio, limpie el filtro periódicamente. Si no logra obtenerse una potencia de succión suficiente incluso después de la limpieza, reemplace el filtro con uno nuevo.

AVISO: Para evitar que el filtro se dañe, no utilice las siguientes herramientas o elementos similares para limpiarlo:

- Sacudidor de aire
- Hidrolavadora de alta presión
- Herramientas hechas de materiales duros, como cepillos metálicos

1. Abra la tapa y extraiga la bolsa del filtro/bolsa recolectora de polvo. Libere el gancho en el filtro y retírelo del cuerpo de la aspiradora.

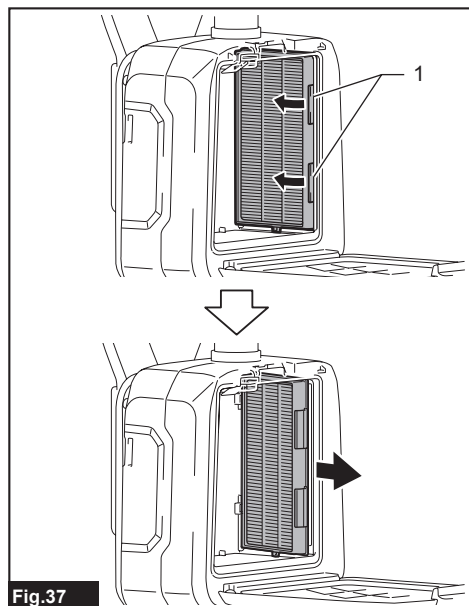


Fig.37

► 1. Gancho

2. Golpee el polvo del filtro. El filtro puede ser lavado con agua. Limpie con agua el polvo y las partículas en el filtro cada 1 o 2 meses. Después de eso, seque por completo el filtro en un lugar a la sombra y bien ventilado para evitar un olor desagradable o un funcionamiento defectuoso.

3. Para instalar el filtro, inserte el lado sin los ganchos en la ranura y luego empuje el filtro hacia adentro hasta que los ganchos queden asegurados con un clic.

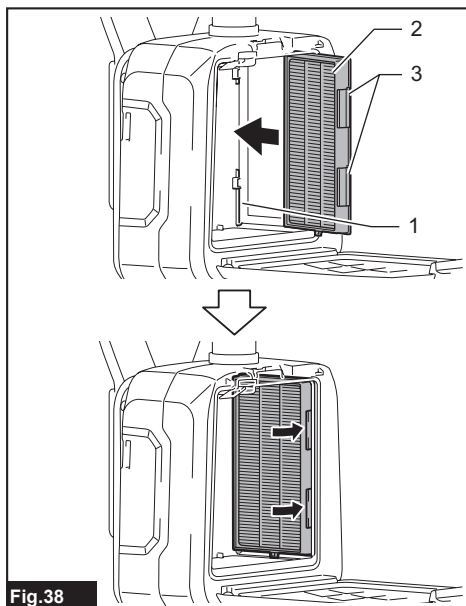


Fig.38

► 1. Ranura 2. Filtro HEPA 3. Gancho

Limpeza de la bolsa recolectora de polvo

Limpie regularmente la bolsa recolectora de polvo con agua y jabón. Voltee al revés la bolsa recolectora de polvo y retire el polvo adherido. Lávela ligeramente con la mano y enjuague bien con agua. Séquela por completo antes de instalarla en la aspiradora.

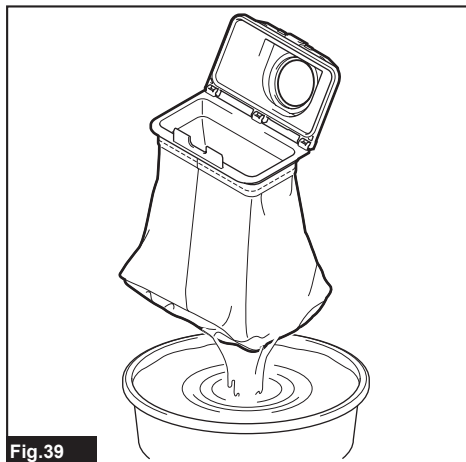


Fig.39

AVISO: Una bolsa recolectora de polvo húmeda reduce el desempeño del aspirado así como la vida del motor.

Reparar un atascamiento

Para reparar los atascamientos, extraiga la manguera o el tubo de extensión o el conjunto de tubo curvo para comprobar su interior.

Extracción/acoplamiento del conjunto de tubo curvo de fijación a presión

Para extraerlo, tire del conjunto de tubo curvo mientras oprime ambas lengüetas del extremo de la manguera. Para acoplarlo, inserte el extremo de la manguera en el conjunto de tubo curvo. Asegúrese de que las lengüetas del extremo de la manguera encajen en los orificios del conjunto de tubo curvo.

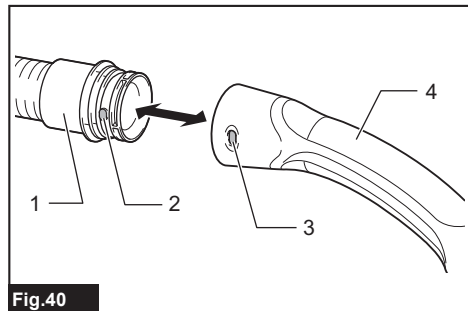


Fig.40

- ▶ 1. Extremo de manguera 2. Lengüeta 3. Orificio 4. Conjunto de tubo curvo

Extracción/acoplamiento del conjunto de tubo curvo de fijación a rosca

Para extraerlo, afloje el manguito del conjunto de tubo curvo respecto de la manguera.

Para acoplarlo, fije el manguito del conjunto de tubo curvo en la manguera.

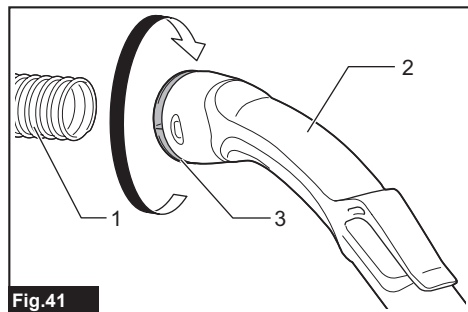


Fig.41

- ▶ 1. Manguera 2. Conjunto de tubo curvo 3. Manguito

Limpieza del espacio interior de la bolsa del filtro/bolsa recolectora de polvo

Cuando limpie el espacio interior de la bolsa del filtro/bolsa recolectora de polvo, extraiga y limpie el tablero del interior.

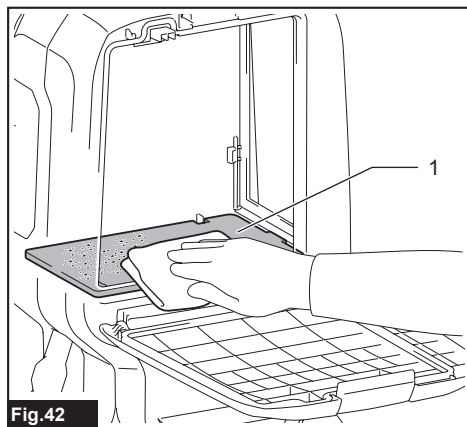


Fig.42

- ▶ 1. Tablero

Extracción del tablero

1. Extraiga el filtro HEPA. Consulte la sección de limpieza del filtro HEPA para ver cómo se retira.
2. Empuje hacia abajo el tablero y deslícelo hacia la izquierda hasta que el tablero toque la pared.
3. Levante el lado derecho del tablero hacia arriba y sáquelo hacia afuera.

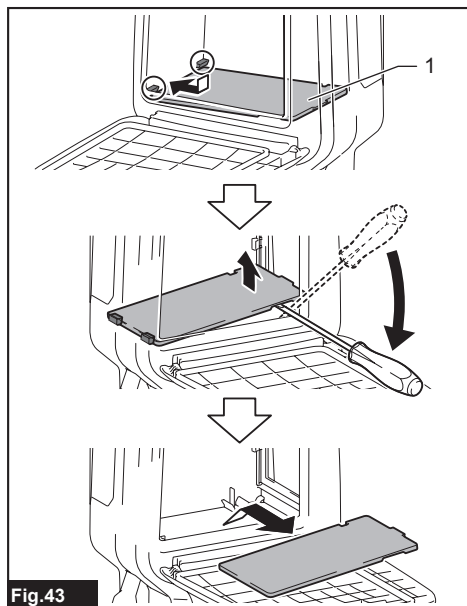


Fig.43

- ▶ 1. Tablero

El tablero está sostenido mediante tres resortes. Si los resortes se desprendieron del tablero o de la palanca, vuelva a colocarlos como se muestra en la ilustración.

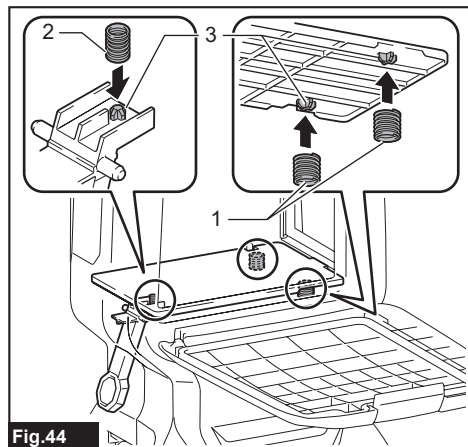


Fig.44

- 1. Resorte para tablero 2. Resorte para palanca 3. Protuberancia

NOTA: Fije los resortes de forma segura de modo que los resortes toquen la base de las protuberancias.

Fijación del tablero

1. Coloque el lado recto del tablero en los sujetadores en el lado inferior izquierdo del espacio interior.
2. Ponga el lado derecho del tablero en su sitio.

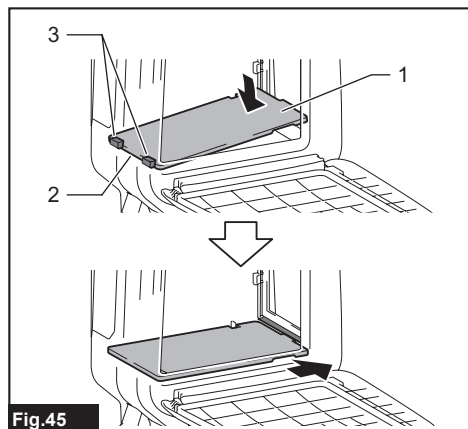


Fig.45

- 1. Tablero 2. Lado recto 3. Sujetador

ACCESORIOS OPCIONALES

PRECAUCIÓN: Estos accesorios o aditamentos están recomendados para utilizarse con su producto de Makita especificado en este manual. El uso de cualquier otro accesorio o aditamento puede ocasionar riesgo de lesiones personales. Use los accesorios o aditamentos sólo para los propósitos para los que fueron diseñados.

Si necesita cualquier ayuda para más detalles en relación con estos accesorios, pregunte a su centro de servicio local Makita.

- Manguera (para el tipo aspiradora)
- Manguera (para el tipo extractor de polvo)
- Tubo de extensión
- Boquilla amplia
- Boquilla T
- Boquilla para asientos
- Boquilla para esquinas
- Cepillo para estantes
- Cepillo redondo
- Conjunto de tubo curvo
- Bolsa del filtro
- Bolsa recolectora de polvo
- Boca delantera
- Filtro HEPA
- Tubo
- Colector ciclónico
- Batería y cargador originales de Makita

NOTA: Algunos de los artículos en la lista pueden incluirse en el paquete de la herramienta como accesorios estándar. Éstos pueden variar de país a país.

Colector ciclónico

NOTA: Cuando utilice el colector ciclónico con este aparato, también se requiere el tubo curvo.

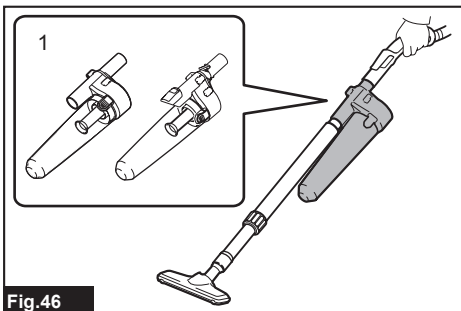


Fig.46

- 1. Colector ciclónico

Acerca del colector ciclónico

El uso de la aspiradora con el colector ciclónico instalado reduce la cantidad de polvo que ingresa a la bolsa recolectora de polvo, lo que ayuda a evitar que la fuerza de succión se debilite. Además, limpiarla después de su uso es algo sencillo.

⚠️ PRECAUCIÓN: Asegúrese siempre de que la herramienta esté apagada y el cartucho de batería haya sido extraído antes de realizar cualquier trabajo en la misma. Si se deja insertado el cartucho de batería, la aspiradora podría arrancar de forma inesperada y ocasionar una lesión.

⚠️ PRECAUCIÓN: Limpie el filtro de malla del colector ciclónico y la bolsa recolectora de polvo de la unidad de la aspiradora cuando se obstruyan. El uso continuo en la condición obstruida podría provocar su calentamiento o humo.

AVISO: Cuando se coloca el colector ciclónico, no use el colector ciclónico en la posición horizontal u orientada hacia arriba. El hacerlo podría ocasionar que el filtro de malla se obstruya.

AVISO: Siempre utilice la aspiradora con la bolsa recolectora de polvo instalada, incluso cuando utiliza el colector ciclónico. Si se utiliza la aspiradora sin la bolsa recolectora de polvo instalada se podría ocasionar una avería del motor.

NOTA: Verifique que el colector ciclónico, la aspiradora y el tubo recto estén asegurados correctamente antes de su uso.

NOTA: Vacíe la caja para polvo del colector ciclónico y la bolsa recolectora de polvo de la aspiradora cuando se haya acumulado el polvo. El uso continuo en esas circunstancias debilitará la fuerza de succión.

NOTA: Puede utilizar el colector ciclónico con o sin la función de bloqueo.

NOTA: Para instalar o desinstalar el colector ciclónico, consulte la sección "Uso como aspiradora".

Eliminación del polvo

Cuando se haya acumulado el polvo hasta la línea de llenado completo de la caja para polvo, siga el procedimiento a continuación y deseche el polvo.

1. Sujete la caja para polvo firmemente, oprima y mantenga apretados los dos botones y extraiga la caja para polvo.

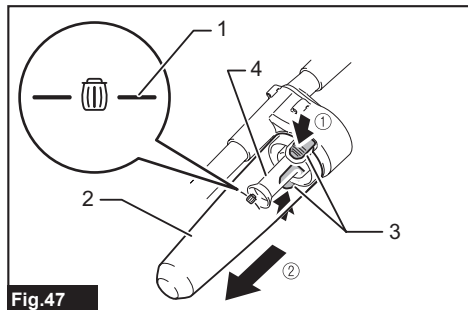


Fig.47

► 1. Línea de llenado completo 2. Caja para polvo
3. Botón (dos ubicaciones) 4. Filtro de malla

2. Deseche el polvo dentro de la caja para polvo y extraiga cualquier polvo y partículas adheridas a la superficie del filtro de malla.

3. Inserte la caja para polvo hasta el fondo hasta que los dos botones queden asegurados con un clic.

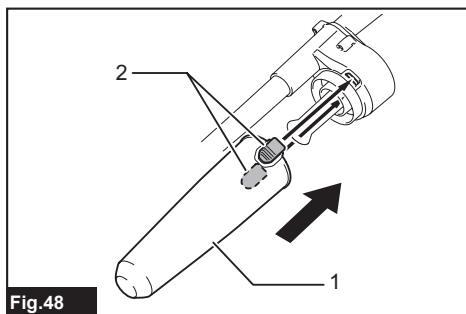


Fig.48

► 1. Caja para polvo 2. Botón (dos ubicaciones)

NOTA: Verifique que el colector ciclónico, la aspiradora y el tubo recto estén asegurados correctamente antes de reiniciar la operación.

NOTA: Si la fuerza de succión no se recupera incluso después de desechar el polvo y de limpiar el filtro de malla, verifique si se ha acumulado polvo en la bolsa recolectora de polvo de la aspiradora o si hay obstrucción.

Limpieza

Quando la caja para polvo se ensucia o el filtro de malla se obstruye, quítelos y lávelos con agua. (Consulte la sección "Eliminación del polvo" para el procedimiento de eliminación).

Seque las piezas por completo antes de reinstalarlas y usarlas.

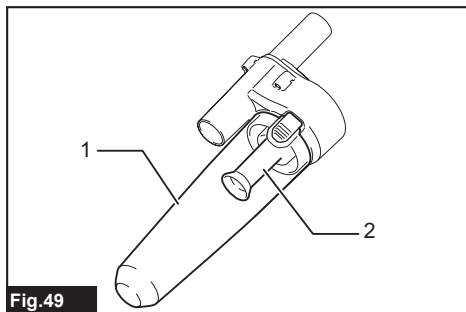


Fig.49

► 1. Caja para polvo 2. Filtro de malla

Cuando el filtro de malla se ensucie en exceso, límpielo con los siguientes procedimientos.

1. Gire el filtro de malla en el sentido contrario a las manecillas del reloj y retírelo mientras los ganchos no están asegurados.

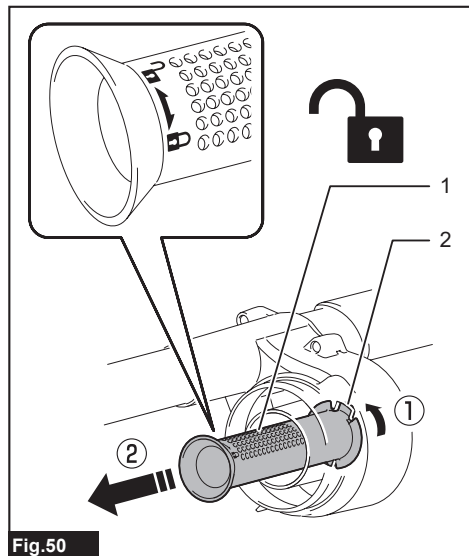


Fig.50

- 1. Filtro de malla 2. Gancho

2. Retire el polvo en el filtro de malla y posteriormente lávelo con agua. Después de esto, séquelo por completo.

3. Inserte el filtro de malla dentro de la base mientras los ganchos están alineados con el puerto. Mueva el filtro de malla en el sentido de las manecillas del reloj hasta que los ganchos se aseguren con un clic. Asegúrese de que el filtro de malla quede bien instalado.

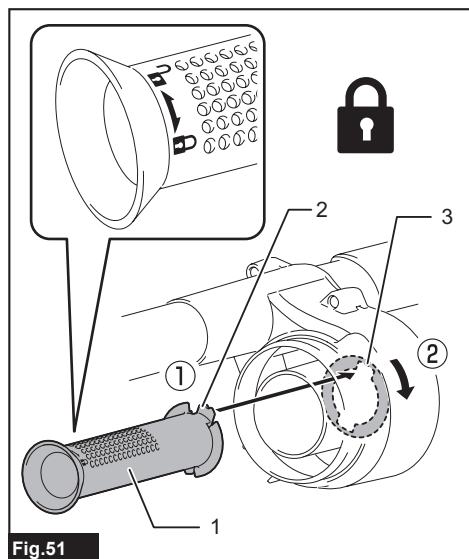


Fig.51

- 1. Filtro de malla 2. Gancho 3. Puerto

GARANTÍA LIMITADA DE MAKITA

Ésta Garantía no aplica para México

Consulte la hoja de la garantía anexa para ver los términos más vigentes de la garantía aplicable a este producto. En caso de no disponer de esta hoja de garantía anexa, consulte los detalles sobre la garantía descritos en el sitio web de su país respectivo indicado a continuación.

Estados Unidos de América: www.makitatools.com

Canadá: www.makita.ca

Otros países: www.makita.com

< USA only >

WARNING

Some dust created by power sanding, sawing, grinding, drilling, and other construction activities contains chemicals known to the State of California to cause cancer, birth defects or other reproductive harm. Some examples of these chemicals are:

- lead from lead-based paints,
- crystalline silica from bricks and cement and other masonry products, and
- arsenic and chromium from chemically-treated lumber.

Your risk from these exposures varies, depending on how often you do this type of work. To reduce your exposure to these chemicals: work in a well ventilated area, and work with approved safety equipment, such as those dust masks that are specially designed to filter out microscopic particles.

< Sólo en los Estados Unidos >

ADVERTENCIA

Algunos polvos creados por el lijado, aserrado, esmerilado, taladrado y otras actividades de la construcción contienen sustancias químicas reconocidas por el Estado de California como causantes de cáncer, defectos de nacimiento y otros peligros de reproducción. Algunos ejemplos de estos productos químicos son:

- plomo de pinturas a base de plomo,
- sílice cristalino de ladrillos y cemento y otros productos de albañilería, y
- arsénico y cromo de maderas tratadas químicamente.

El riesgo al que se expone varía, dependiendo de la frecuencia con la que realice este tipo de trabajo. Para reducir la exposición a estos productos químicos: trabaje en un área bien ventilada y póngase el equipo de seguridad indicado, tal como las máscaras contra polvo que están especialmente diseñadas para filtrar partículas microscópicas.

Makita Corporation

3-11-8, Sumiyoshi-cho,
Anjo, Aichi 446-8502 Japan

www.makita.com

885745A934
DVC660-1
EN, FRCA, ESMX
20210623